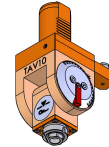


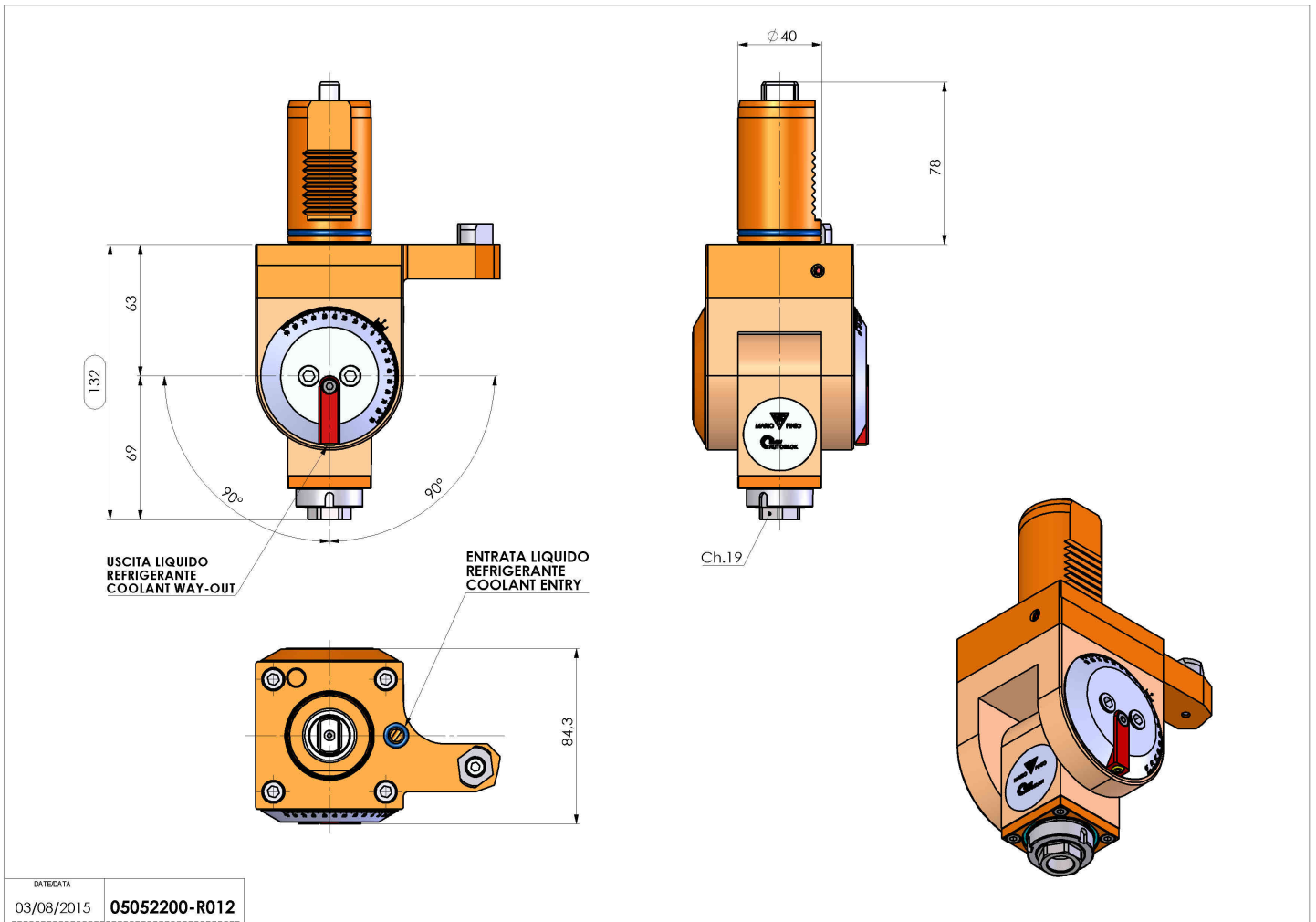
05052200 - LT-T VDI40 ER16F H63-132 MZ R012

Type	LT-T Tool holder tiltable
Mounting	VDI 40
Tool output	Collet nut ER 16 F - internal nut
Coolant	External coolant
Direction of rotation	r1 ↻ r2 ↻
Max speed [rpm]	6000
Max torque [Nm]	10
Ratio	1:1
H [mm]	63-132
Accessories	N.A.
Notes	N.A.
Mounting tips	Not suitable for every application, please check



IMPORTANT: CHECK CAREFULLY THE VDI ORIENTATION

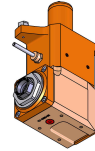
Always check live tool dimensions on the turret



Subject to technical changes

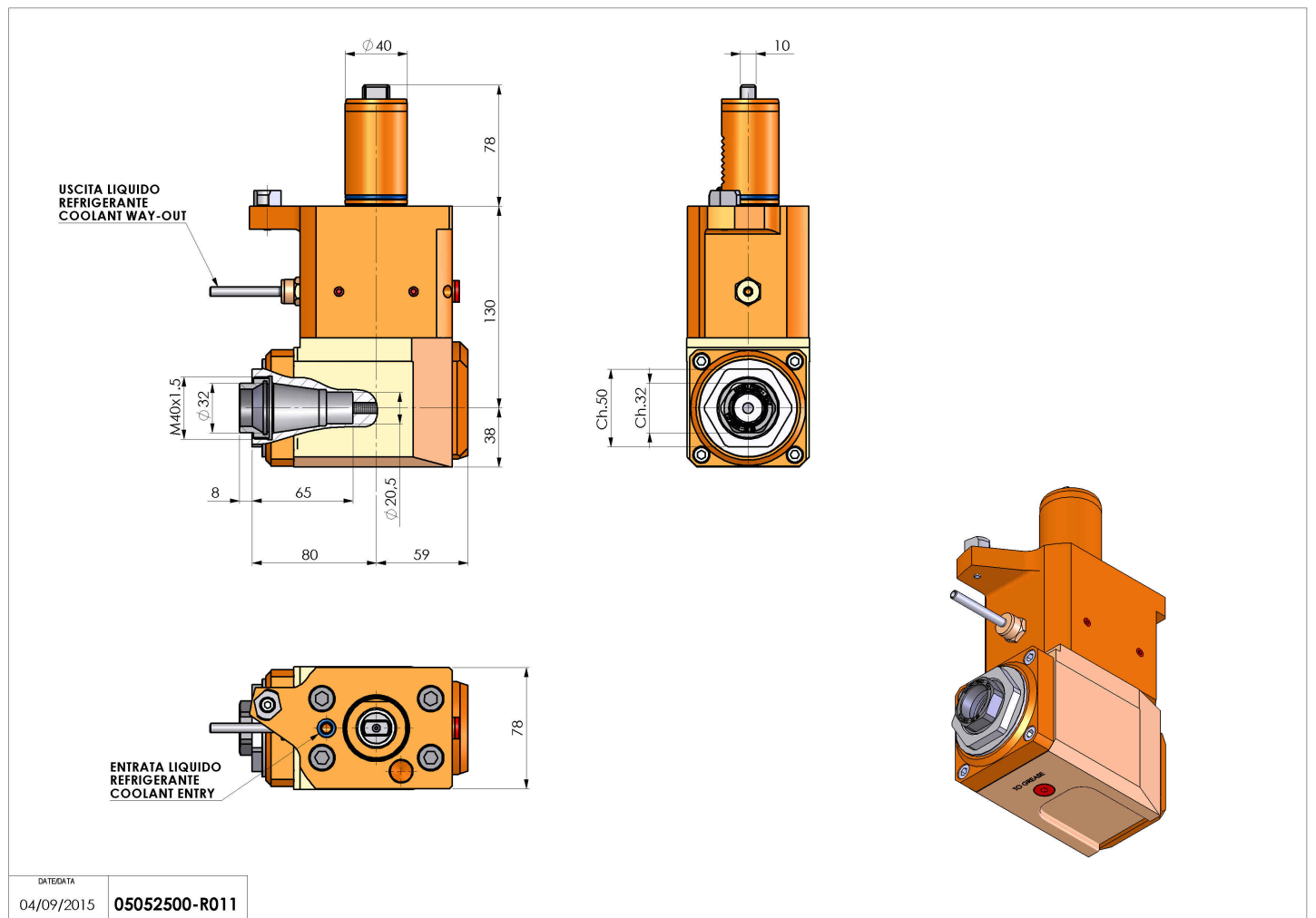
05052500 - LT-A VDI40 ER32F H130 MP MZ

Type	LT-A Tool holder angle 90°
Mounting	VDI 40
Tool output	Collet nut ER 32 F - internal nut
Coolant	External coolant
Direction of rotation	r1 ↻ r2 ↻
Max speed [rpm]	6000
Max torque [Nm]	63
Ratio	1:1
H [mm]	130
H1 [mm]	38
Accessories	N.A.
Notes	N.A.
Mounting tips	Not suitable for every application, please check



IMPORTANT: CHECK CAREFULLY THE VDI ORIENTATION

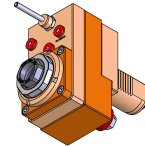
Always check live tool dimensions on the turret



Subject to technical changes

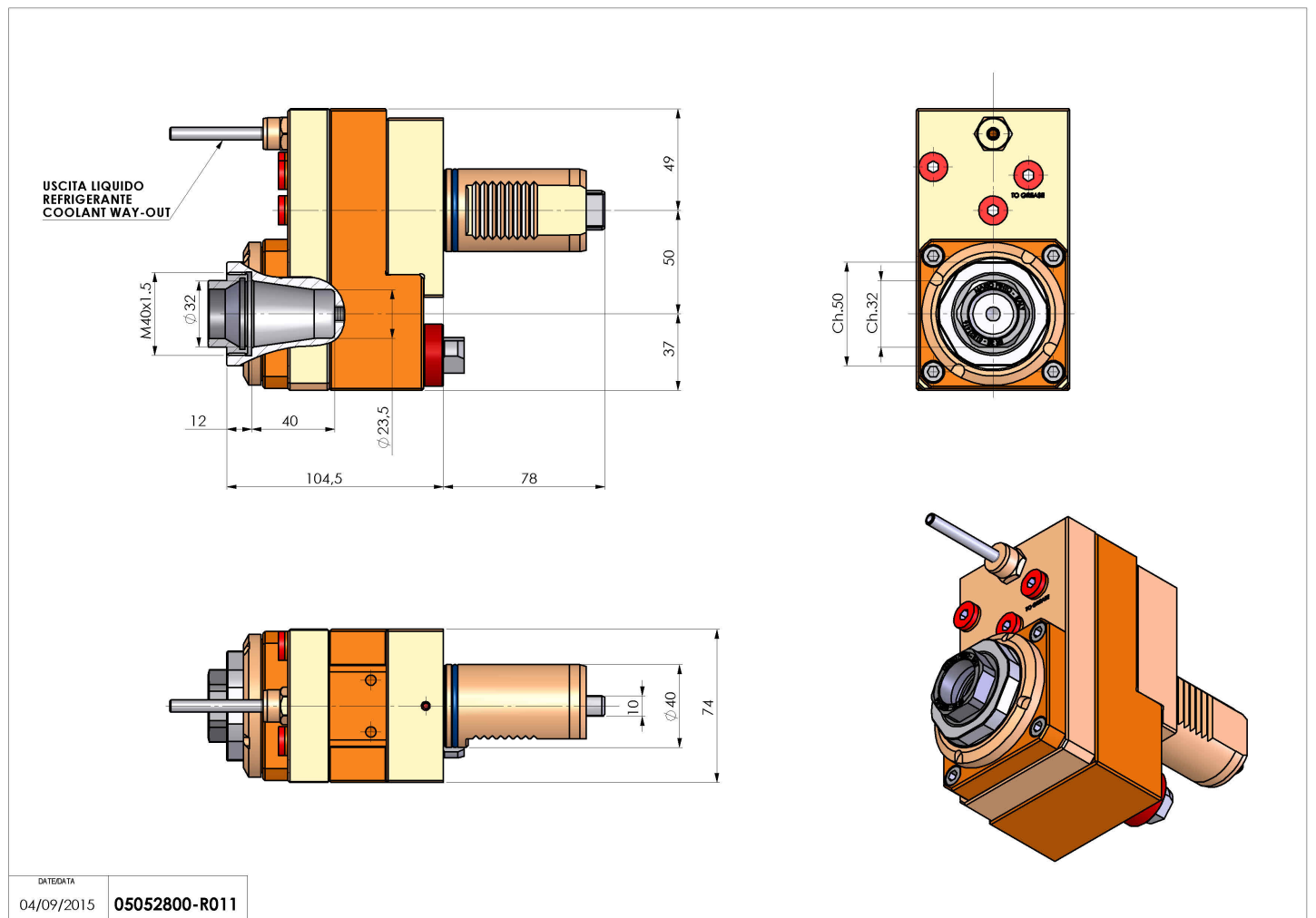
05052800 - LT-S VDI40ER32FOFS50H105 MZ

Type	LT-S OFS Tool holder straight offset
Mounting	VDI 40
Tool output	Collet nut ER 32 F - internal nut
Coolant	External coolant
Offset [mm]	50
Direction of rotation	r1 ↻ r2 ↻
Max speed [rpm]	6000
Max torque [Nm]	63
Ratio	1:1
H [mm]	104,5
Accessories	N.A.
Notes	N.A.
Mounting tips	Not suitable for every application, please check



IMPORTANT: CHECK CAREFULLY THE VDI ORIENTATION

Always check live tool dimensions on the turret



DATE/DATE	04/09/2015	05052800-R011
-----------	------------	---------------

Subject to technical changes