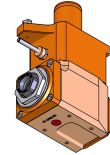


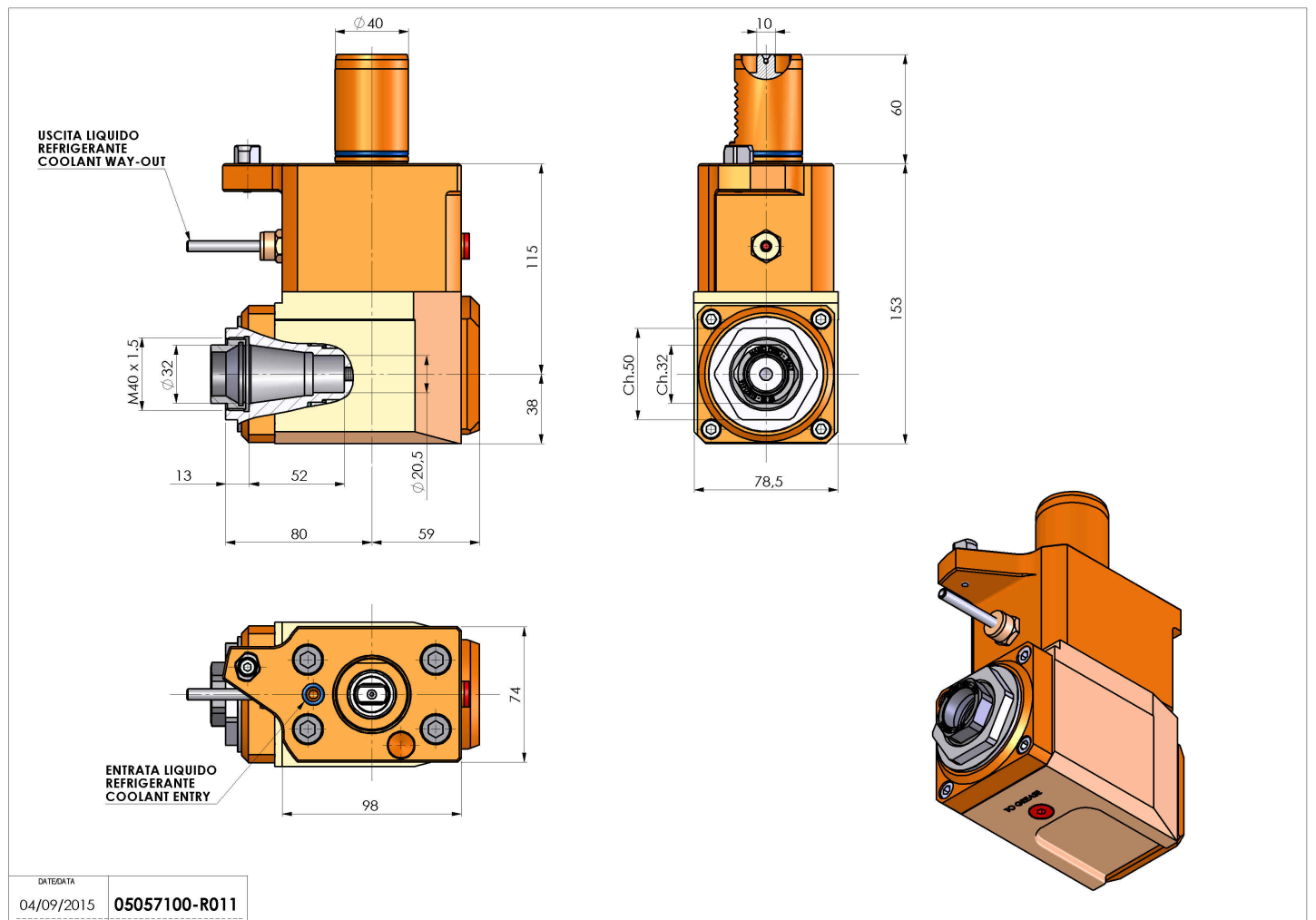
# 05057100 - LT-A VDI40 ER32F H115 MLTX MZ

Type	LT-A Tool holder angle 90°
Mounting	VDI 40
Tool output	Collet nut ER 32 F - internal nut
Coolant	External coolant
Direction of rotation	r1 ↻ r2 ↻
Max speed [rpm]	6000
Max torque [Nm]	63
Ratio	1:1
H [mm]	115
H1 [mm]	38
Accessories	N.A.
Notes	N.A.
Mounting tips	Not suitable for every application, please check



**IMPORTANT: CHECK CAREFULLY THE VDI ORIENTATION**

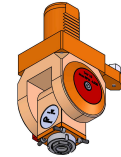
Always check live tool dimensions on the turret



Subject to technical changes

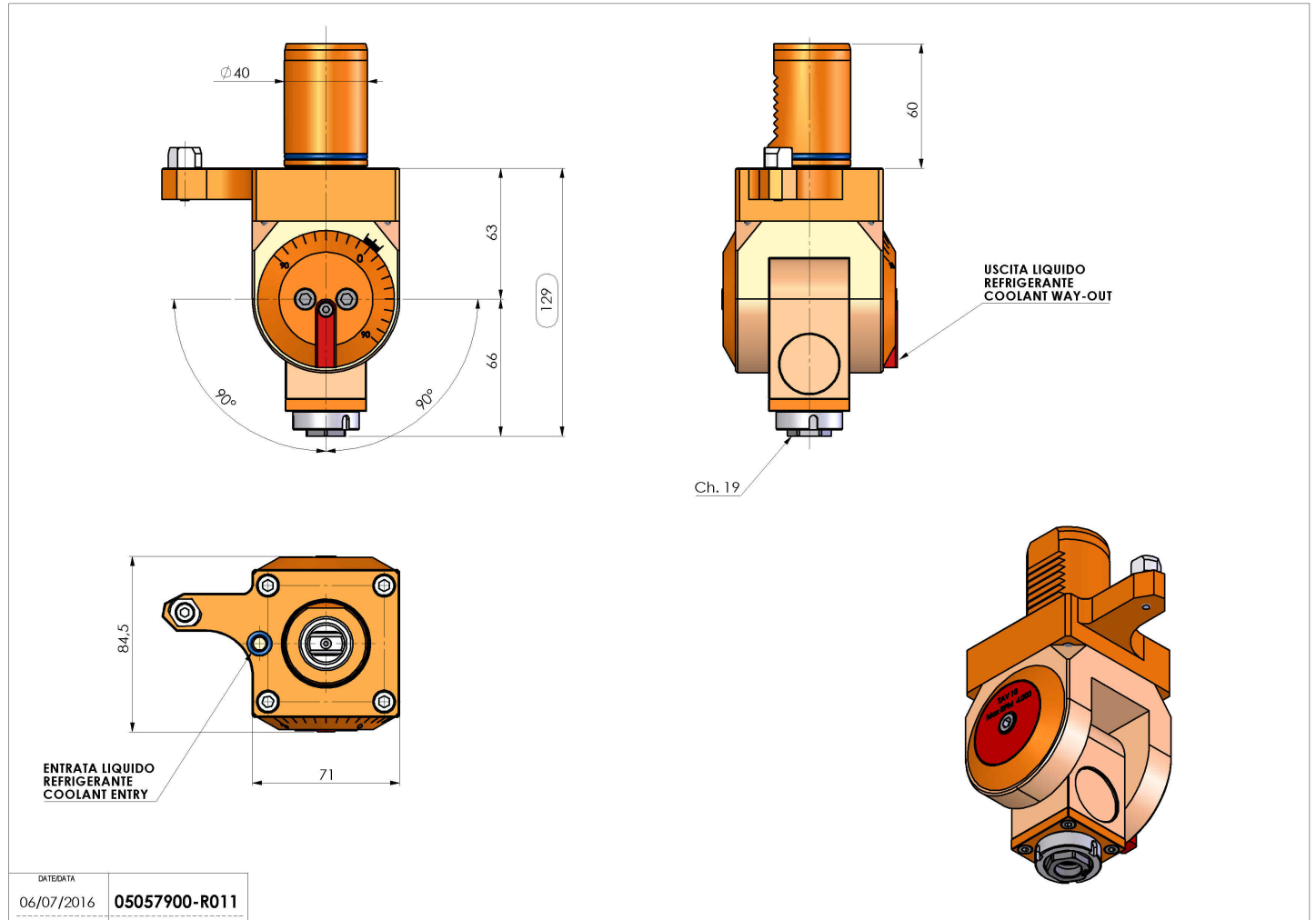
# 05057900 - LT-T VDI40 ER16F H63-129 MZ

<b>Type</b>	LT-T Tool holder tiltable
<b>Mounting</b>	VDI 40
<b>Tool output</b>	Collet nut ER 16 F - internal nut
<b>Coolant</b>	External coolant
<b>Direction of rotation</b>	r1 ↻ r2 ↻
<b>Max speed [rpm]</b>	6000
<b>Max torque [Nm]</b>	10
<b>Ratio</b>	1:1
<b>H [mm]</b>	63-129
<b>Accessories</b>	N.A.
<b>Notes</b>	N.A.
<b>Mounting tips</b>	Not suitable for every application, please check



**IMPORTANT: CHECK CAREFULLY THE VDI ORIENTATION**

Always check live tool dimensions on the turret

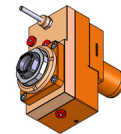


DATE/DATE	06/07/2016	05057900-R011
-----------	------------	---------------

Subject to technical changes

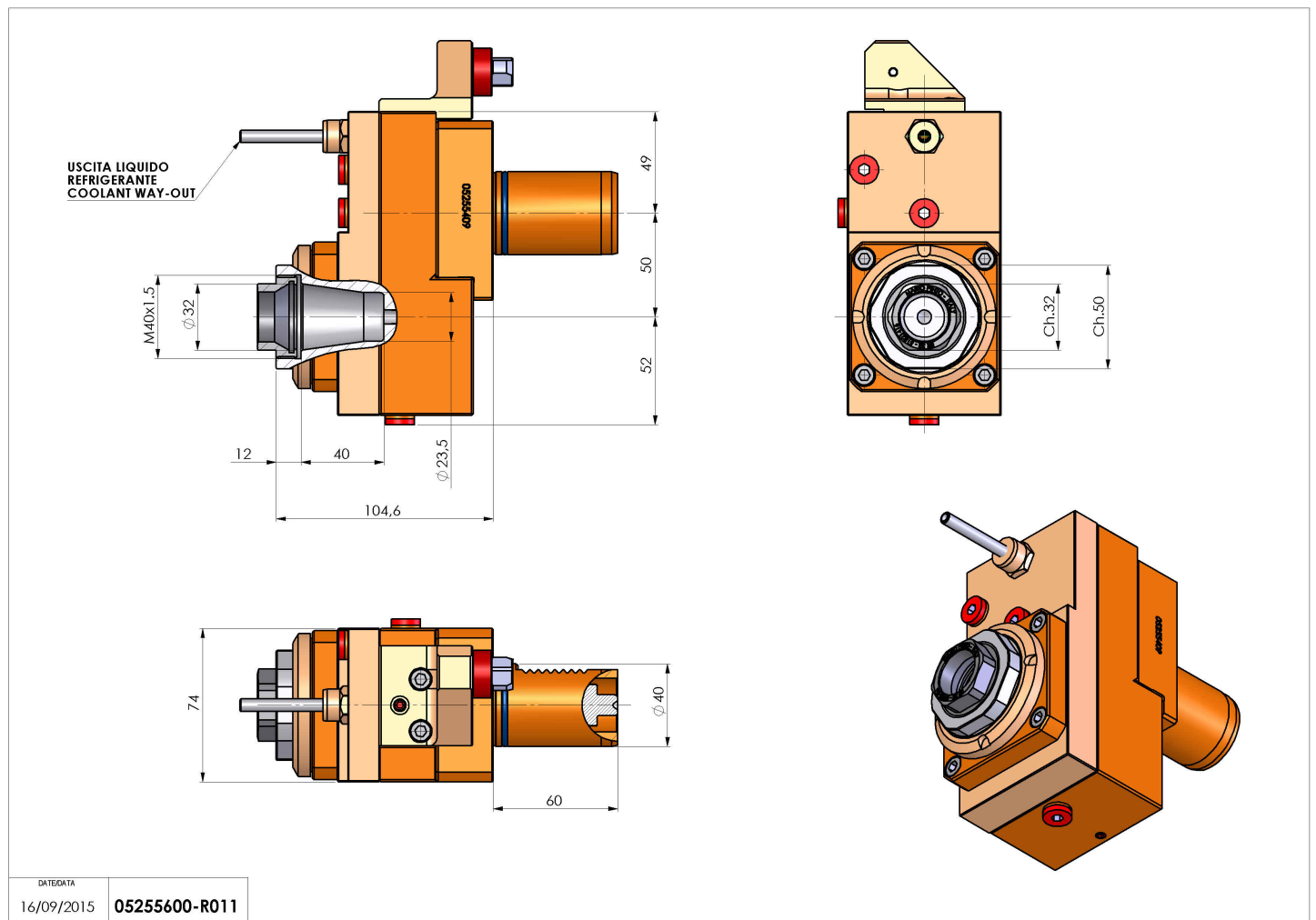
# 05255600 - LT-S VDI40 ER32F OFS50H105 MZH

Type	LT-S OFS Tool holder straight offset
Mounting	VDI 40
Tool output	Collet nut ER 32 F - internal nut
Coolant	External coolant
Offset [mm]	50
Direction of rotation	r1 ↻ r2 ↻
Max speed [rpm]	6000
Max torque [Nm]	63
Ratio	1:1
H [mm]	105
Accessories	N.A.
Notes	N.A.
Mounting tips	Not suitable for every application, please check



**IMPORTANT: CHECK CAREFULLY THE VDI ORIENTATION**

Always check live tool dimensions on the turret



Subject to technical changes