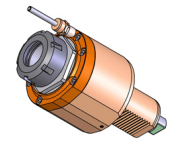


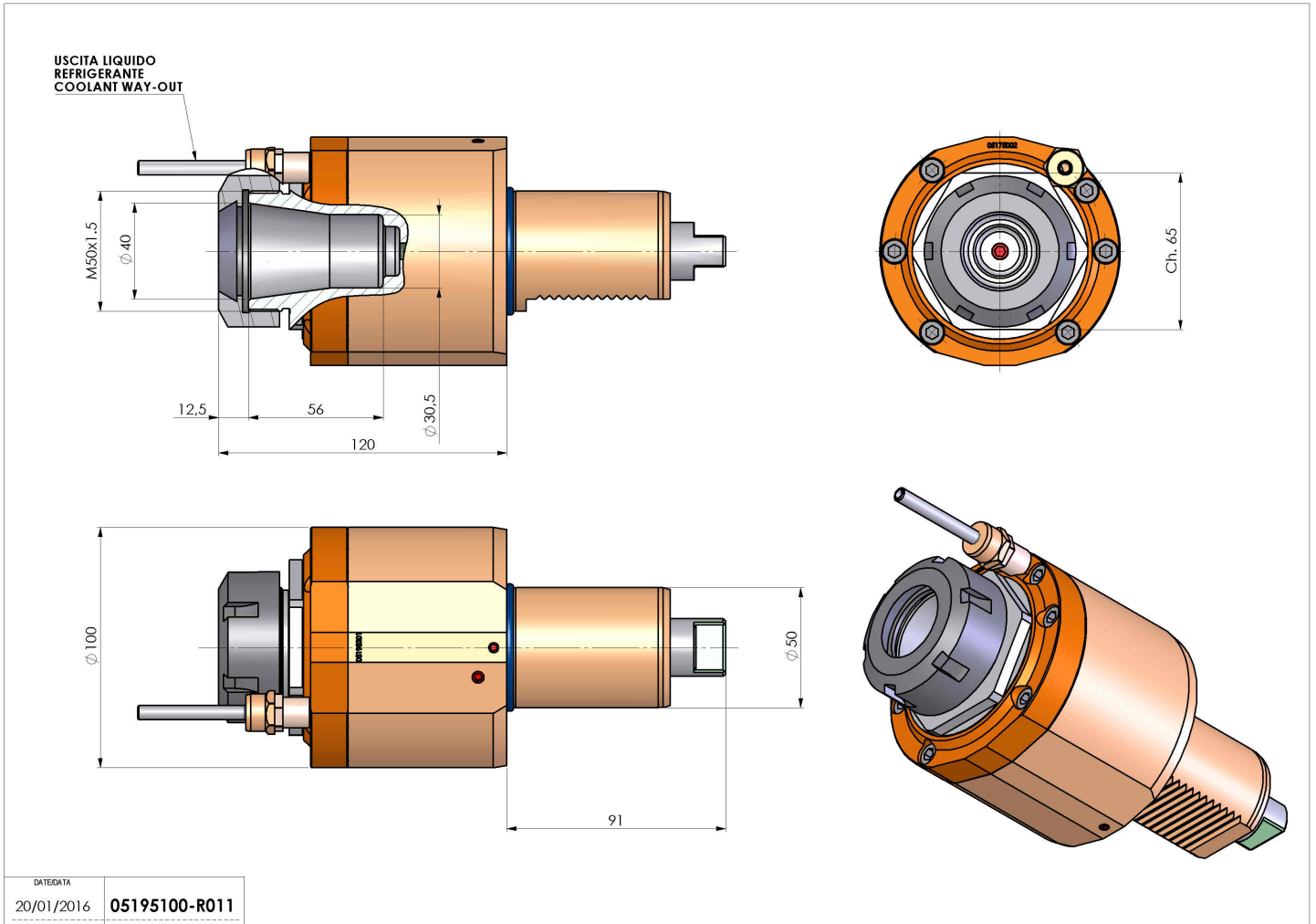
05195100 - LT-S VDI50 ER40 H120 1809 DP

Type	LT-S Tool holder straight
Mounting	VDI 50
Tool output	Collet nut ER 40
Coolant	External coolant
Direction of rotation	r1 r2
Max speed [rpm]	6000
Max torque [Nm]	120
Ratio	1:1
H [mm]	120
Accessories	
Notes	N.A.
Mounting tips	Not suitable for every application, please check



IMPORTANT: CHECK CAREFULLY THE VDI ORIENTATION

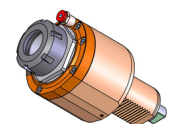
Always check live tool dimensions on the turret



Subject to technical changes

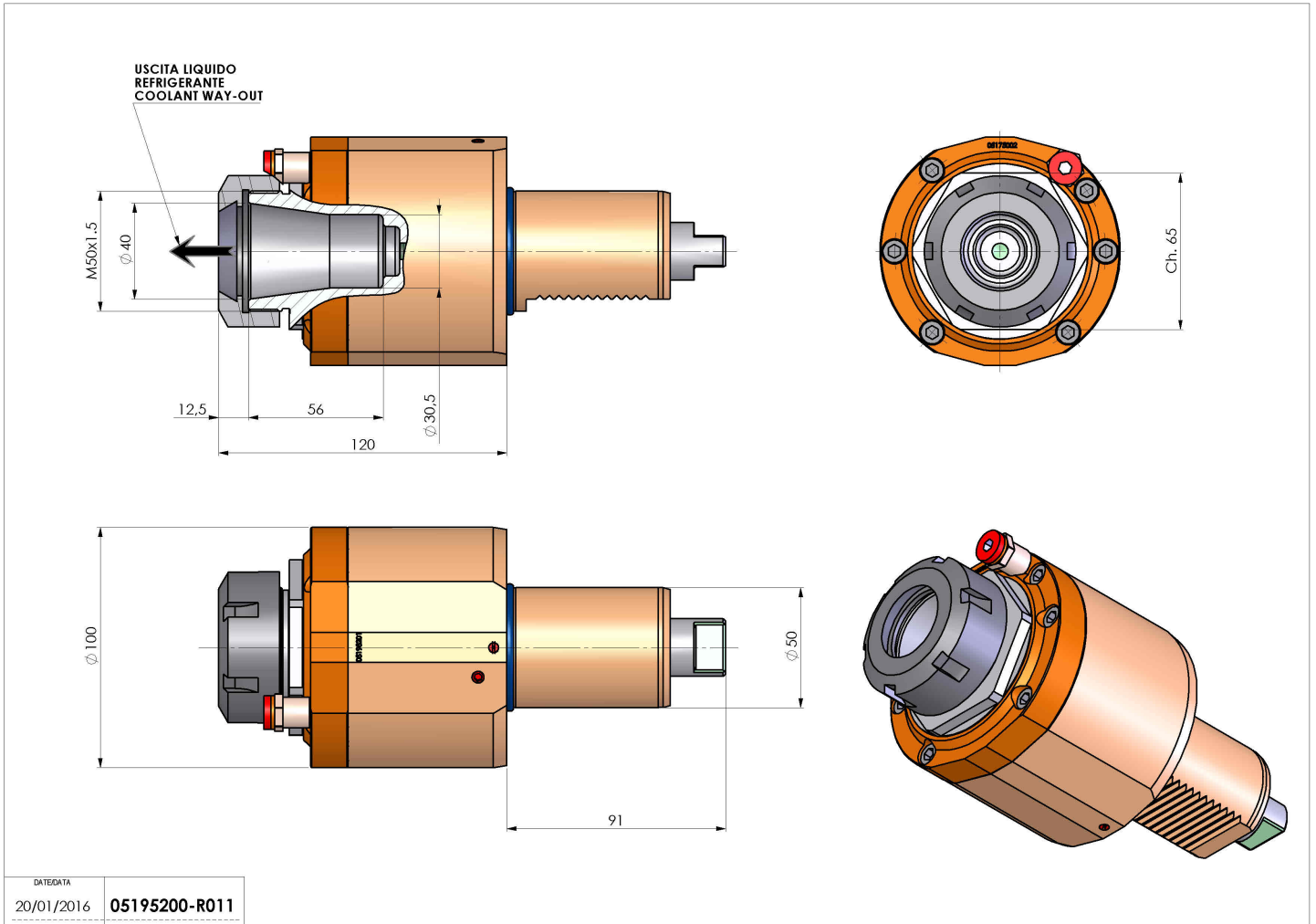
05195200 - LT-S VDI50 ER40 H120 RF 1809DP

Type	LT-S Tool holder straight
Mounting	VDI 50
Tool output	Collet nut ER 40
Coolant	Internal coolant
Direction of rotation	r1 ↻ r2 ↻
Max speed [rpm]	6000
Max torque [Nm]	120
Ratio	1:1
H [mm]	120
Accessories	
Notes	N.A.
Mounting tips	Not suitable for every application, please check



IMPORTANT: CHECK CAREFULLY THE VDI ORIENTATION

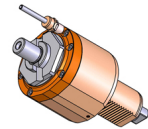
Always check live tool dimensions on the turret



Subject to technical changes

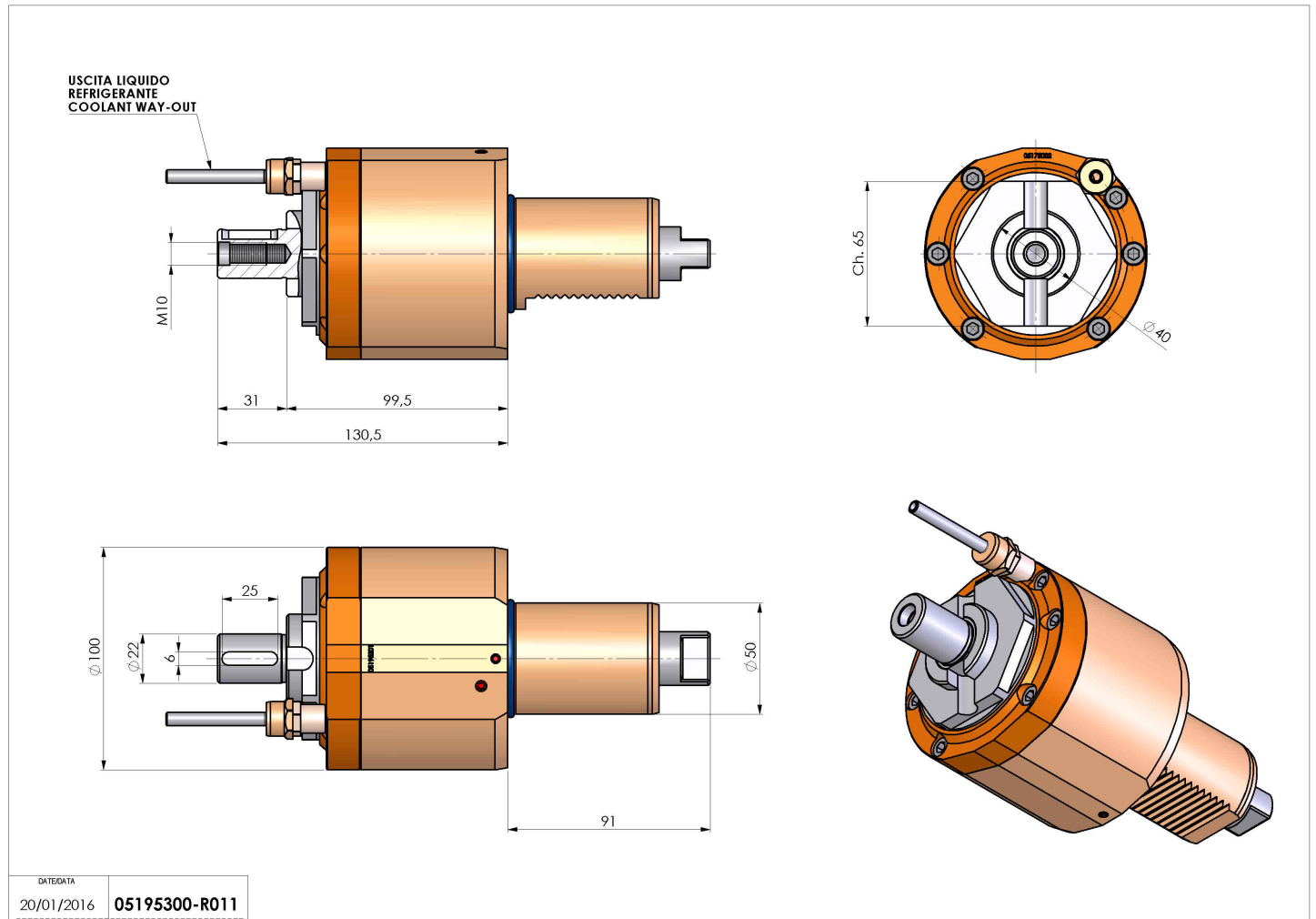
05195300 - LT-S VDI50 DIN138-22 1809 DP

Type	LT-S Tool holder straight
Mounting	VDI 50
Tool output	Shell-Mill DIN138 22
Coolant	External coolant
Direction of rotation	r1 ↻ r2 ↻
Max speed [rpm]	6000
Max torque [Nm]	80
Ratio	1:1
H [mm]	99,5
Accessories	
Notes	N.A.
Mounting tips	Not suitable for every application, please check



IMPORTANT: CHECK CAREFULLY THE VDI ORIENTATION

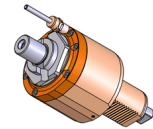
Always check live tool dimensions on the turret



Subject to technical changes

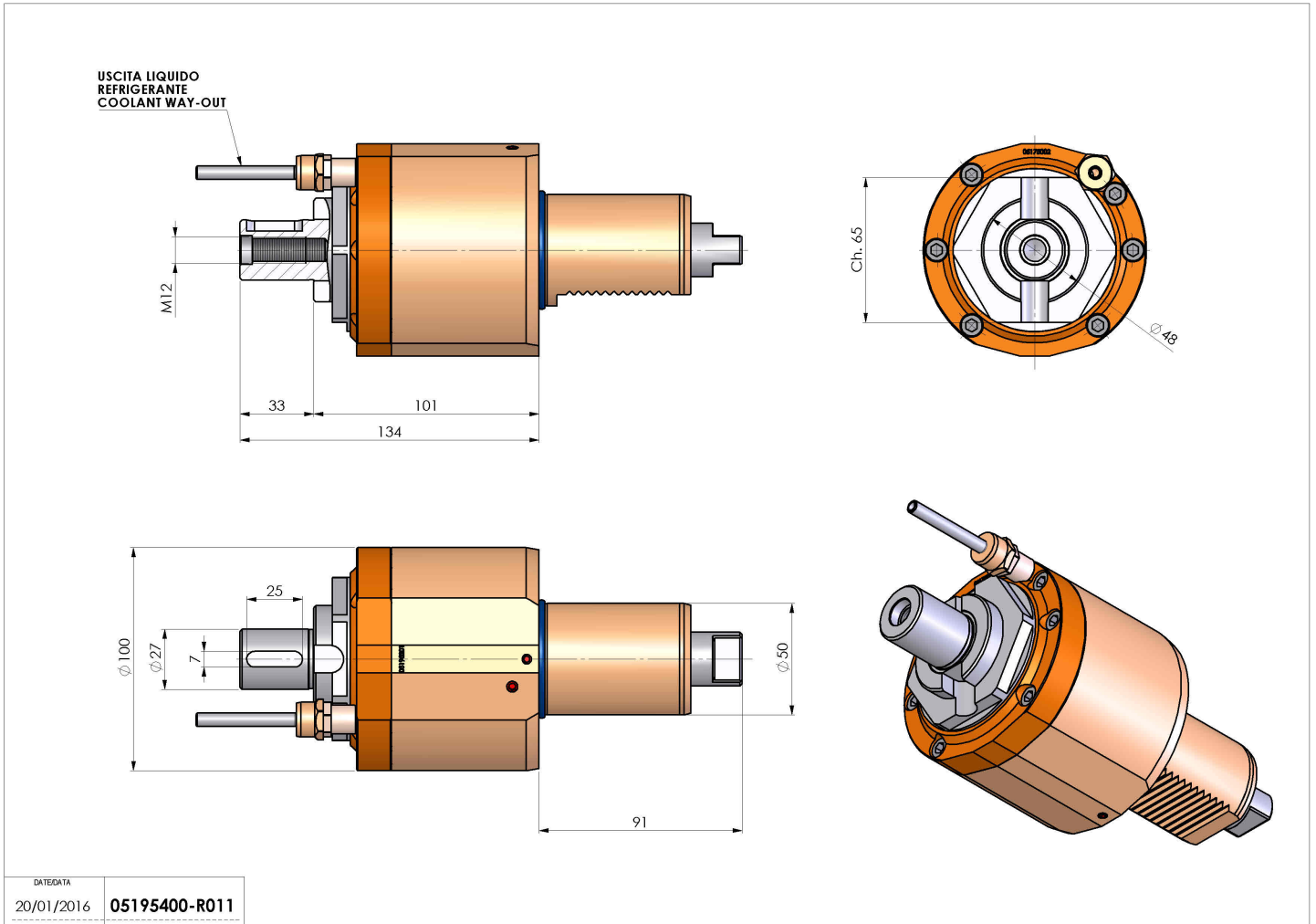
05195400 - LT-S VDI50 DIN138-27 1809 DP

Type	LT-S Tool holder straight
Mounting	VDI 50
Tool output	Shell-Mill DIN138 27
Coolant	External coolant
Direction of rotation	r1 ↻ r2 ↻
Max speed [rpm]	6000
Max torque [Nm]	80
Ratio	1:1
H [mm]	101
Accessories	
Notes	N.A.
Mounting tips	Not suitable for every application, please check



IMPORTANT: CHECK CAREFULLY THE VDI ORIENTATION

Always check live tool dimensions on the turret



Subject to technical changes