

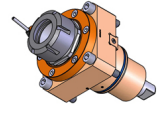
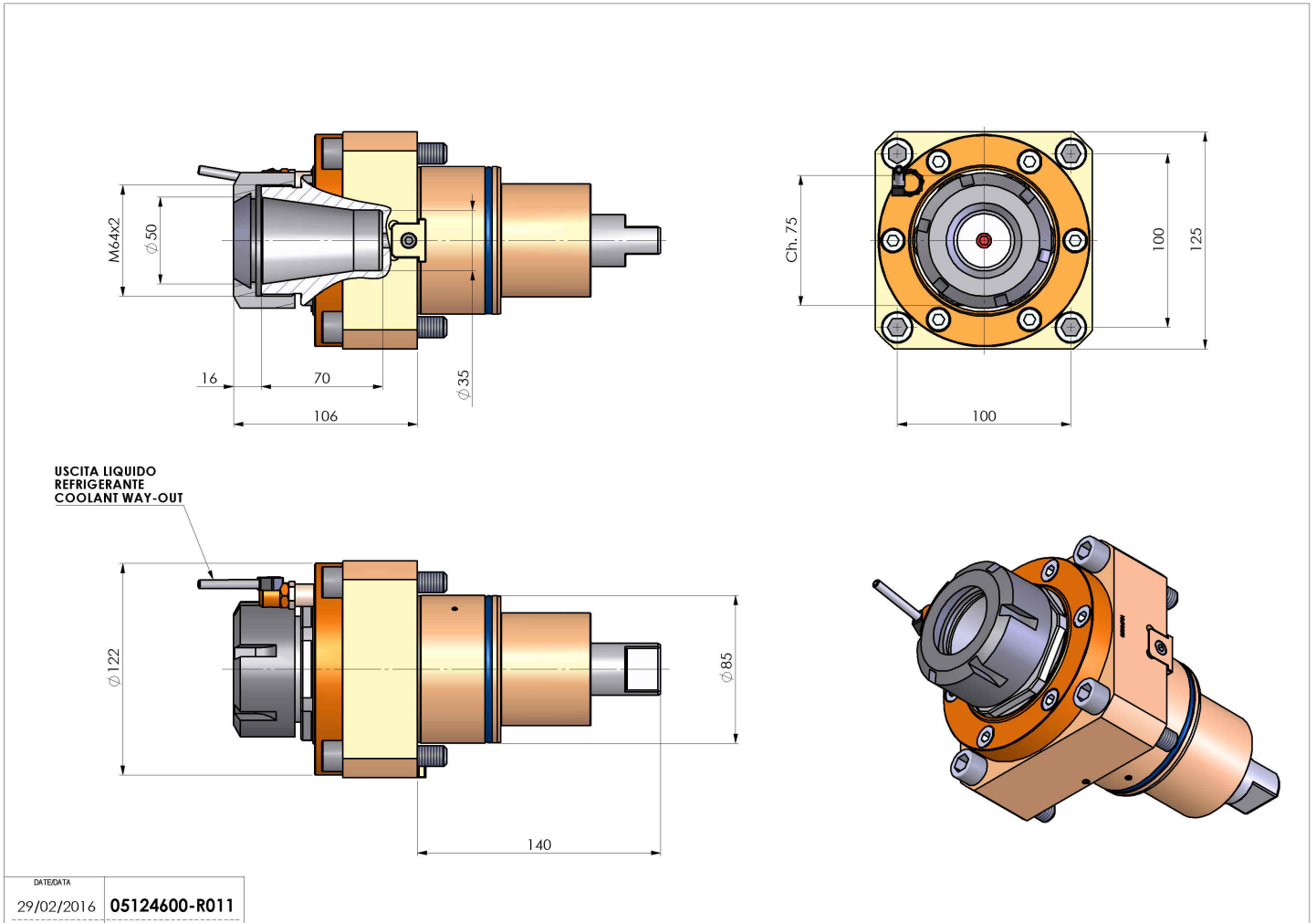


05124600 - LT-S BMT85 ER50 H106

Type	LT-S Tool holder straight
Mounting	BMT 85
Tool output	Collet nut ER 50
Coolant	External coolant
Direction of rotation	r1  r2 
Max speed [rpm]	4000
Max torque [Nm]	100
Ratio	1:1
H [mm]	106
Accessories	
Notes	N.A.
Mounting tips	Not suitable for every application, please check





Always check live tool dimensions on the turret

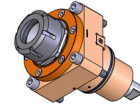


DATE/DATA: 29/02/2016 05124600-R011

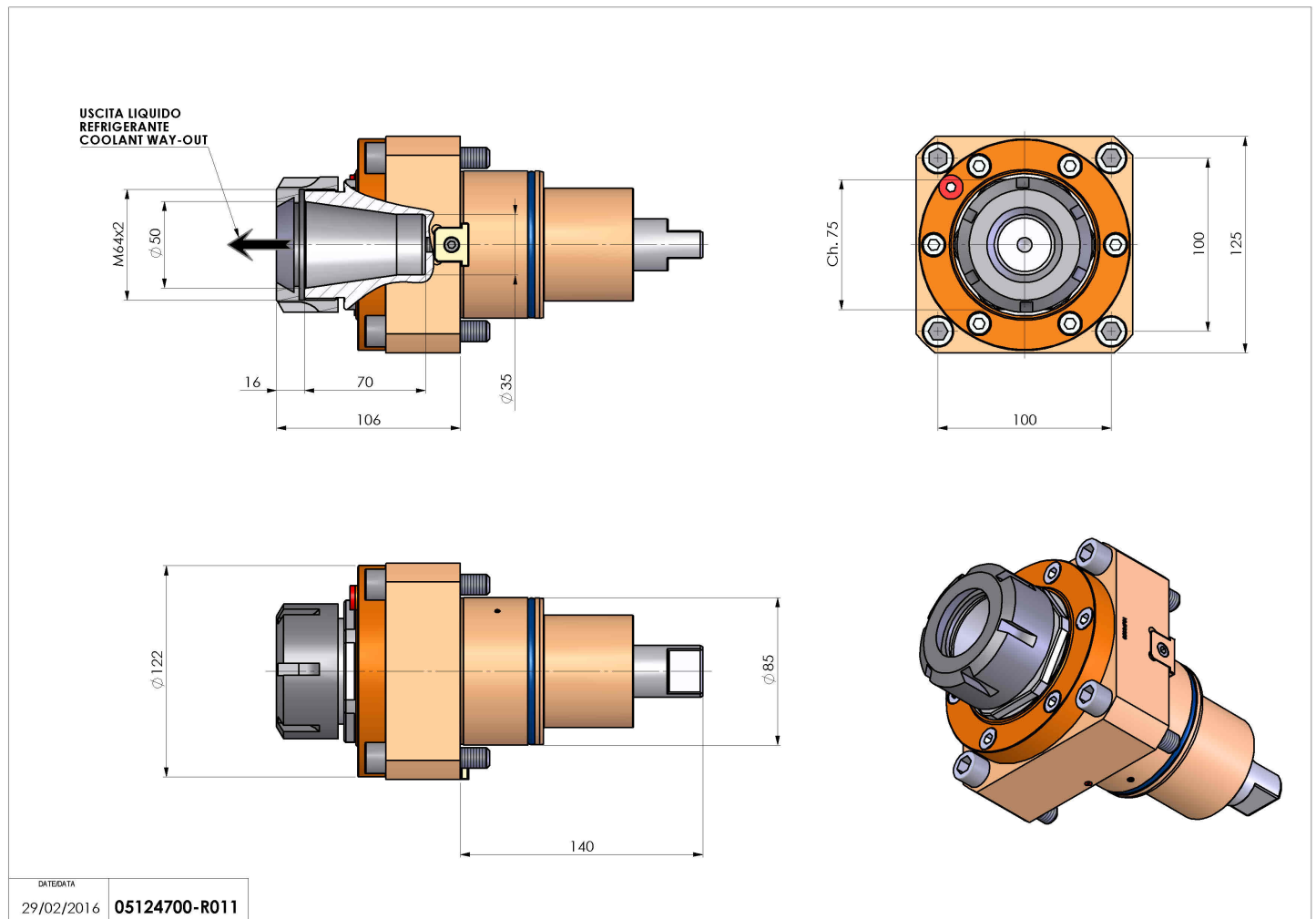
Subject to technical changes

05124700 - LT-S BMT85 ER50 RF H106

Type	LT-S Tool holder straight
Mounting	BMT 85
Tool output	Collet nut ER 50
Coolant	Internal coolant
Direction of rotation	r1  r2 
Max speed [rpm]	4000
Max torque [Nm]	100
Ratio	1:1
H [mm]	106
Accessories	
Notes	N.A.
Mounting tips	Not suitable for every application, please check



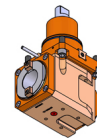
Always check live tool dimensions on the turret



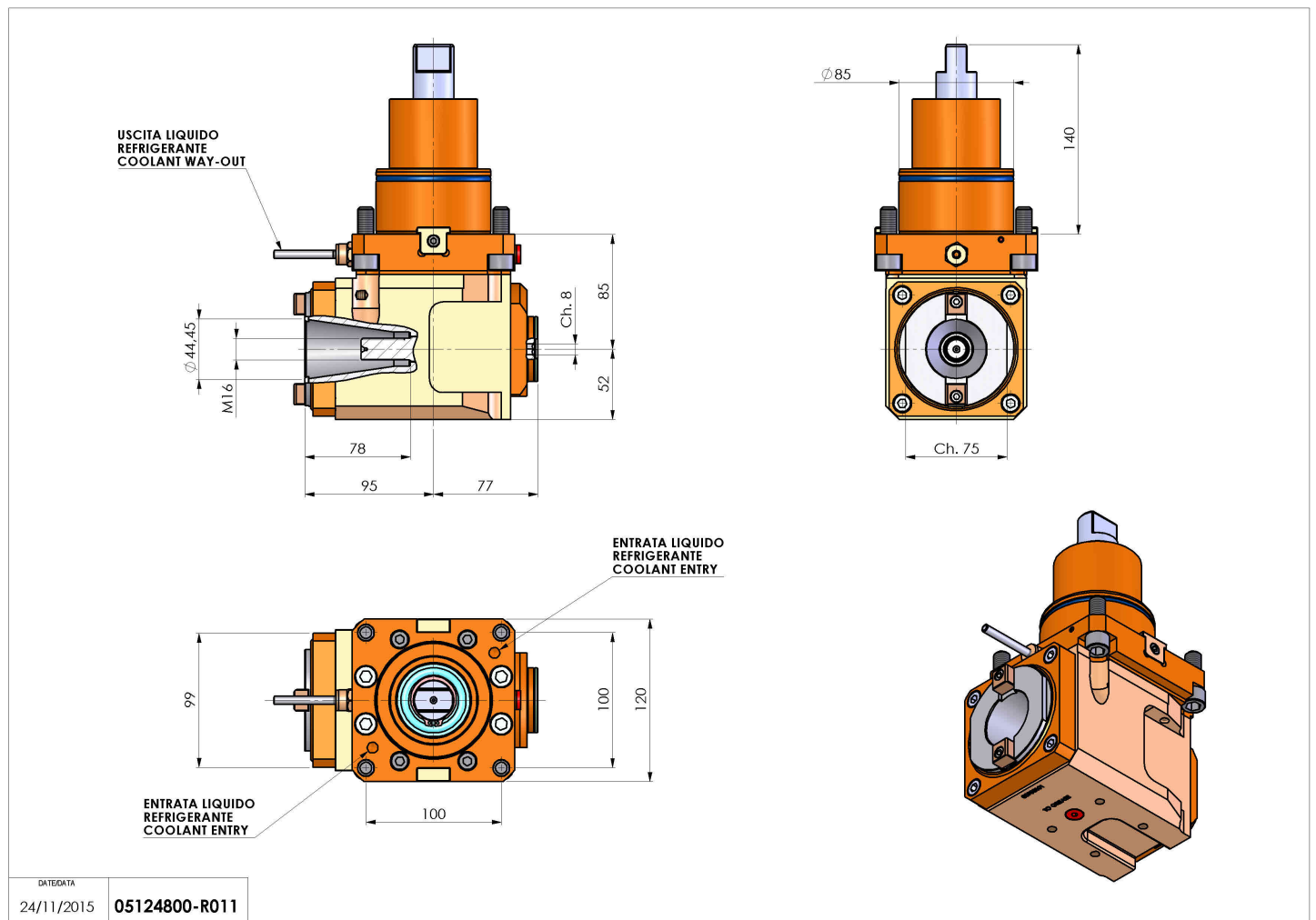
Subject to technical changes

05124800 - LT-A BMT85 ISO-BT40 H85 DW

Type	LT-A Tool holder angle 90°
Mounting	BMT 85
Tool output	Quick Change ISO-BT40
Coolant	External coolant
Direction of rotation	r1 ↻ r2 ↻
Max speed [rpm]	4000
Max torque [Nm]	180
Ratio	1:1
H [mm]	85
H1 [mm]	52
Accessories	N.A.
Notes	N.A.
Mounting tips	Not suitable for every application, please check



Always check live tool dimensions on the turret

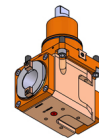


DATE/DATE: 24/11/2015 05124800-R011

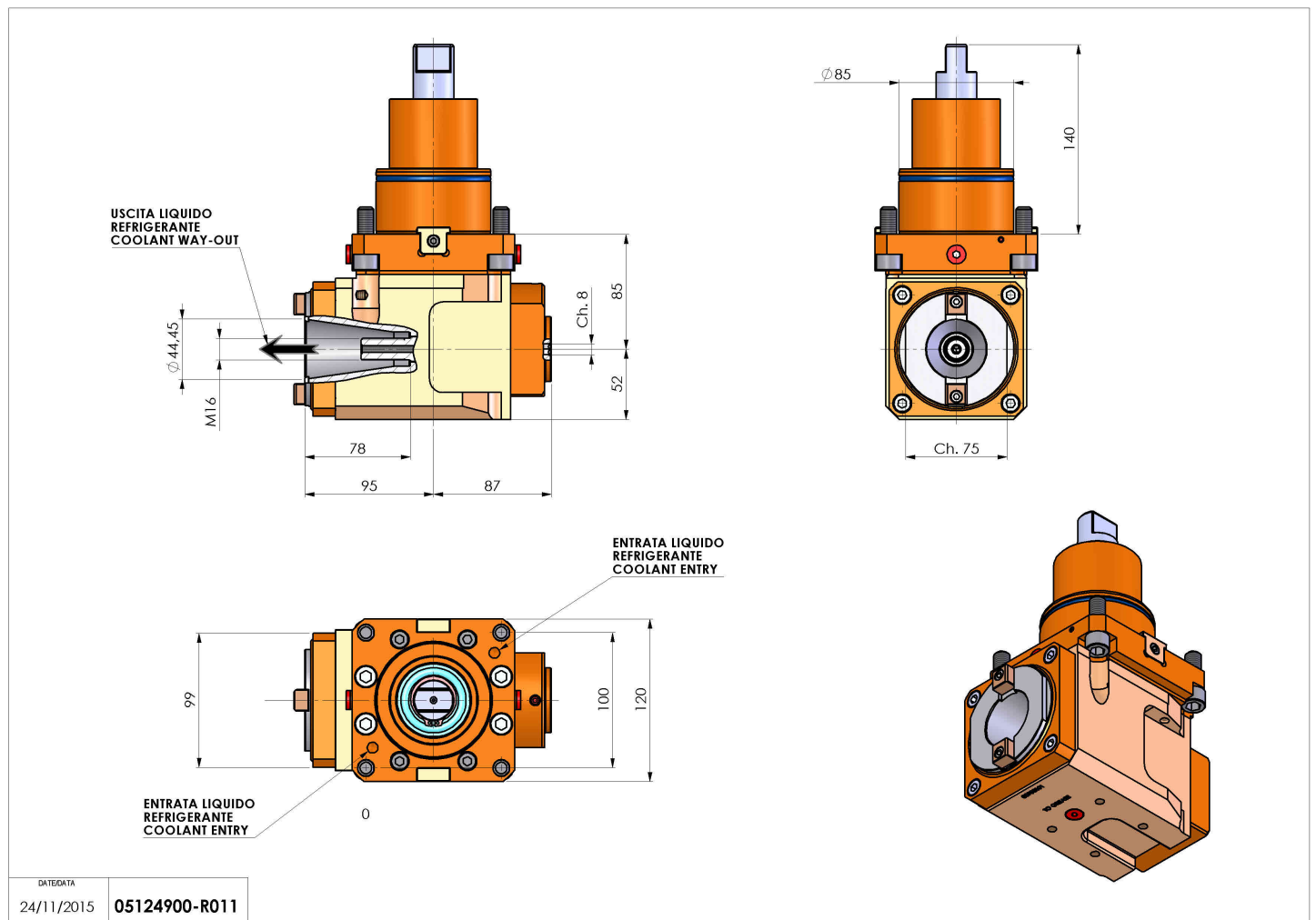
Subject to technical changes

05124900 - LT-A BMT85 ISO-BT40 RF H85 DW

Type	LT-A Tool holder angle 90°
Mounting	BMT 85
Tool output	Quick Change ISO-BT40
Coolant	Internal coolant
Direction of rotation	r1 ↻ r2 ↻
Max speed [rpm]	4000
Max torque [Nm]	180
Ratio	1:1
H [mm]	85
H1 [mm]	52
Accessories	N.A.
Notes	N.A.
Mounting tips	Not suitable for every application, please check



Always check live tool dimensions on the turret

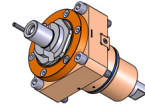


DATE/DATE	05124900-R011
24/11/2015	

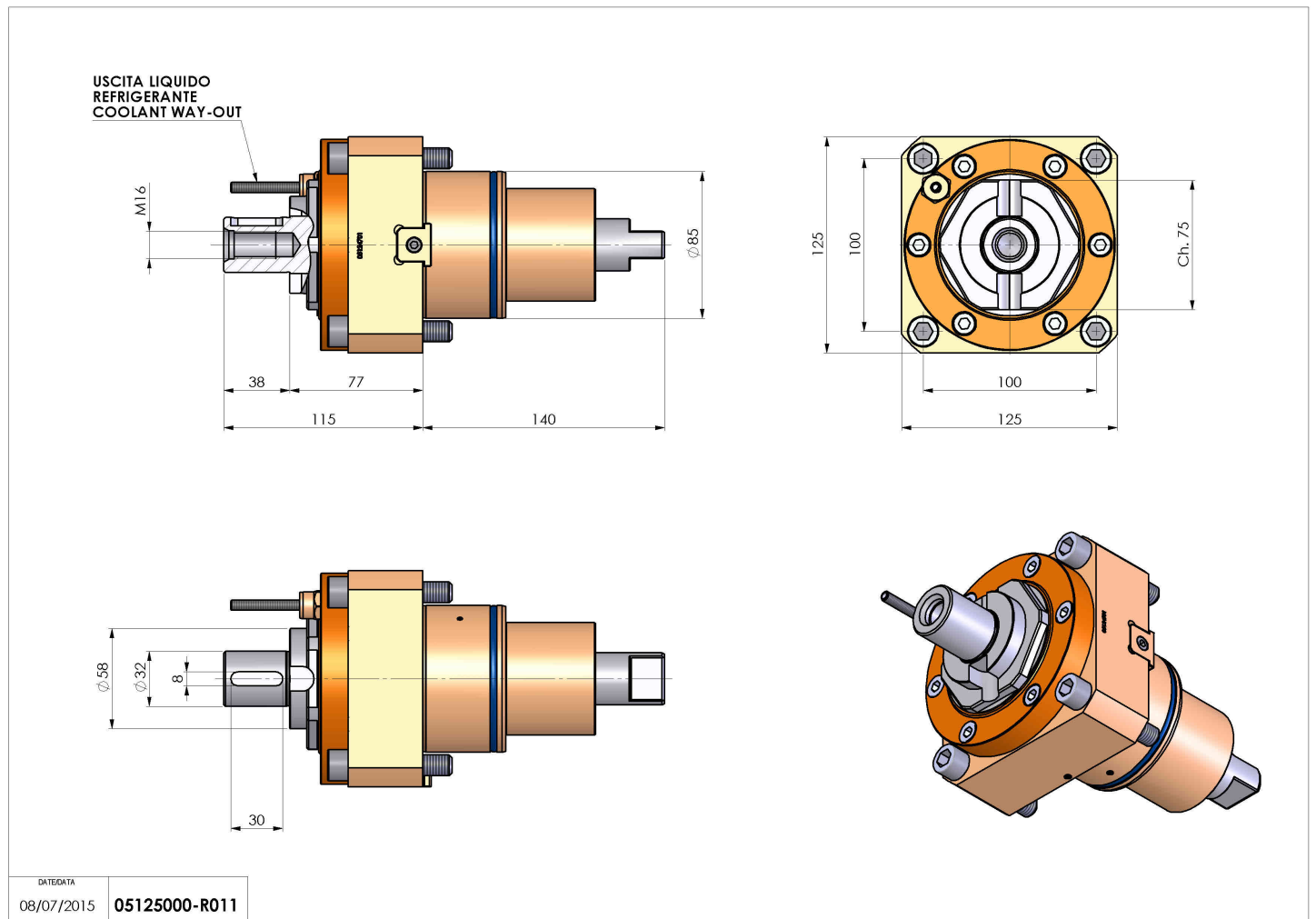
Subject to technical changes

05125000 - LT-S BMT85 DIN138-32 H77 DW

Type	LT-S Tool holder straight
Mounting	BMT 85
Tool output	Shell-Mill DIN138 32
Coolant	External coolant
Direction of rotation	r1 ↻ r2 ↻
Max speed [rpm]	4000
Max torque [Nm]	100
Ratio	1:1
H [mm]	77
Accessories	N.A.
Notes	N.A.
Mounting tips	Not suitable for every application, please check



Always check live tool dimensions on the turret

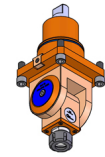


DATE/DATA
08/07/2015 05125000-R011

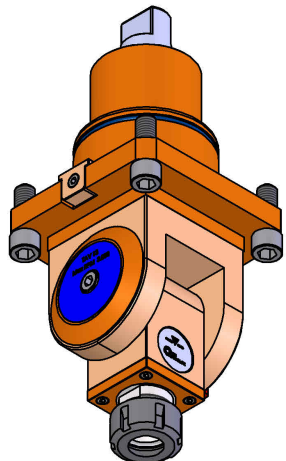
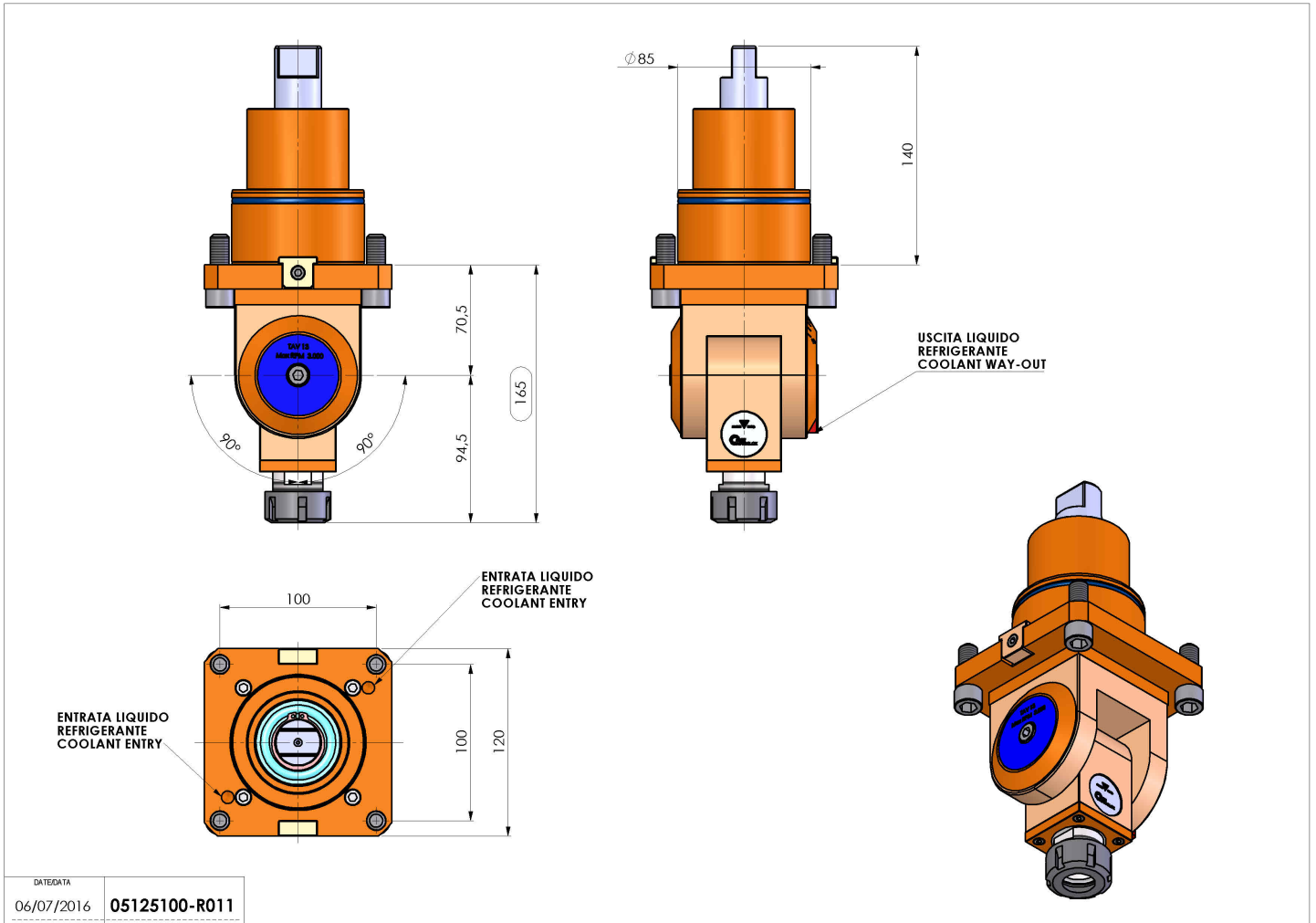
Subject to technical changes

05125100 - LT-T BMT85 ER25M H71-165

Type	LT-T Tool holder tiltable
Mounting	BMT 85
Tool output	Collet nut ER 25
Coolant	External coolant
Direction of rotation	r1 ↻ r2 ↻
Max speed [rpm]	3000
Max torque [Nm]	20
Ratio	1:1
H [mm]	71-165
Accessories	N.A.
Notes	N.A.
Mounting tips	Not suitable for every application, please check



Always check live tool dimensions on the turret

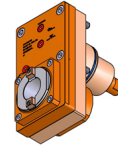


DATE/DATE: 06/07/2016 05125100-R011

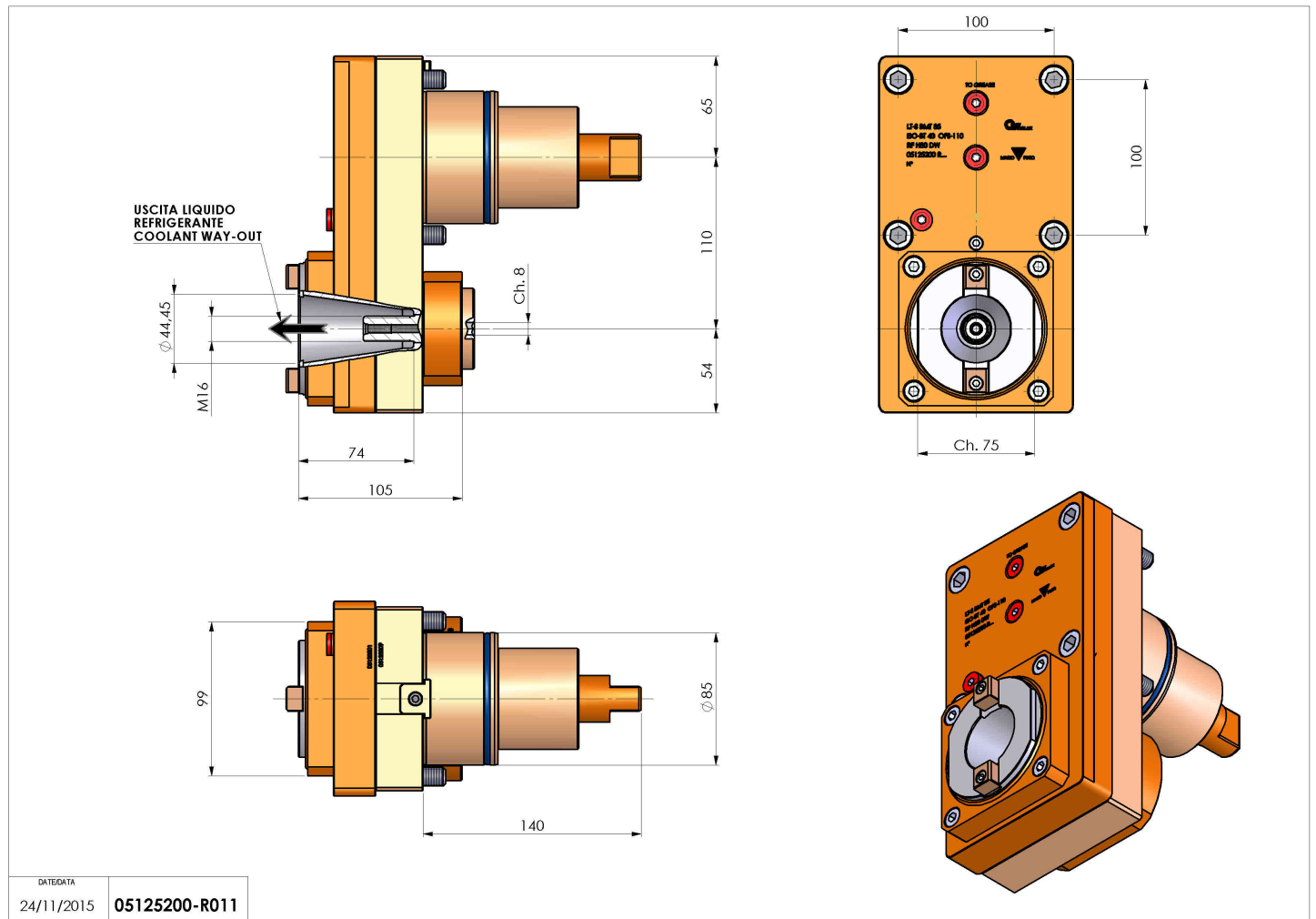
Subject to technical changes

05125200 - LTS BMT85 ISOBT40OFS110RFH80DW

Type	LT-S OFS Tool holder straight offset
Mounting	BMT 85
Tool output	Quick Change ISO-BT40
Coolant	Internal coolant
Offset [mm]	110
Direction of rotation	r1 ↻ r2 ↻
Max speed [rpm]	4000
Max torque [Nm]	180
Ratio	1:1
H [mm]	80
Accessories	N.A.
Notes	N.A.
Mounting tips	Not suitable for every application, please check



Always check live tool dimensions on the turret

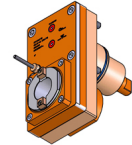


DATE/DATE	05125200-R011
24/11/2015	

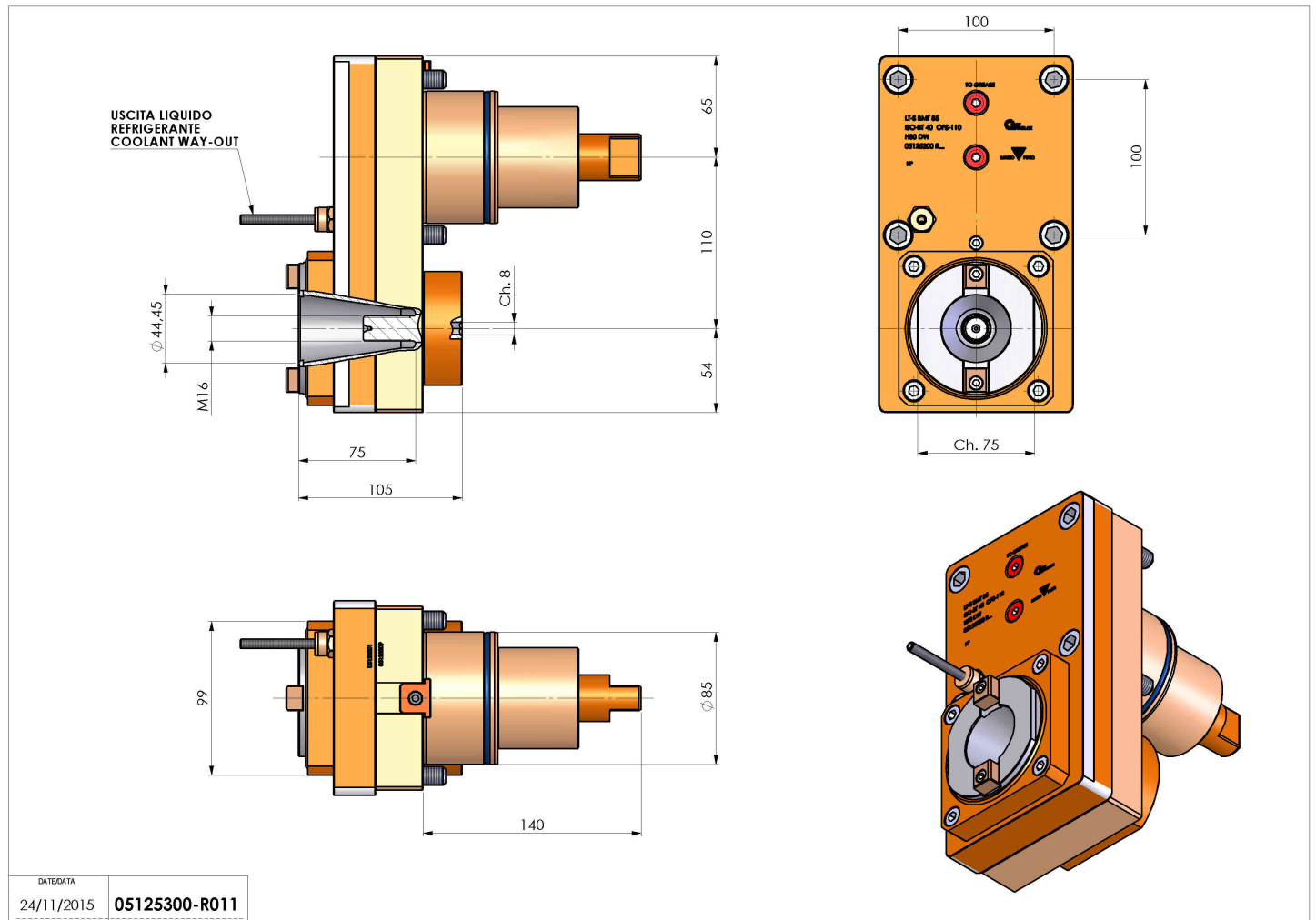
Subject to technical changes

05125300 - LT-S BMT85 ISOBT40 OFS110H80DW

Type	LT-S OFS Tool holder straight offset
Mounting	BMT 85
Tool output	Quick Change ISO-BT40
Coolant	External coolant
Offset [mm]	110
Direction of rotation	r1 ↻ r2 ↻
Max speed [rpm]	4000
Max torque [Nm]	180
Ratio	1:1
H [mm]	80
Accessories	N.A.
Notes	N.A.
Mounting tips	Not suitable for every application, please check



Always check live tool dimensions on the turret

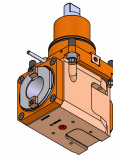


DATE/DATE	05125300-R011
24/11/2015	

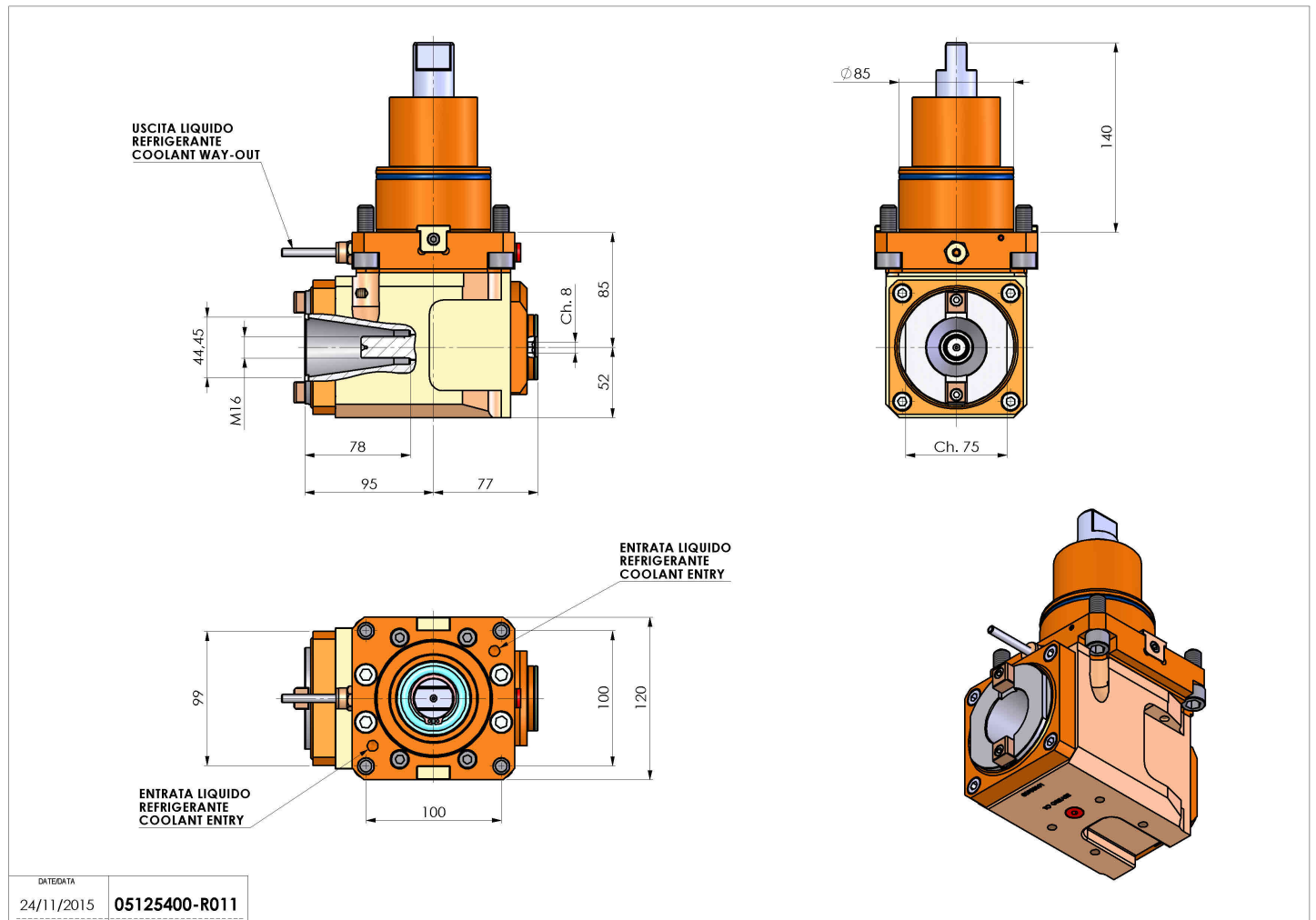
Subject to technical changes

05125400 - LT-A BMT85 ISO-BT40 H85 2:1

Type	LT-A Tool holder angle 90°
Mounting	BMT 85
Tool output	Quick Change ISO-BT40
Coolant	External coolant
Direction of rotation	r1 ↻ r2 ↻
Max speed [rpm]	in 4000 / out 2000
Max torque [Nm]	in 60 / out 120
Ratio	2:1
H [mm]	85
H1 [mm]	52
Accessories	N.A.
Notes	N.A.
Mounting tips	Not suitable for every application, please check



Always check live tool dimensions on the turret

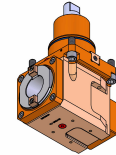


DATE/DATE	05125400-R011
24/11/2015	

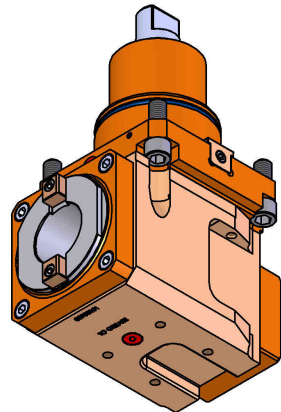
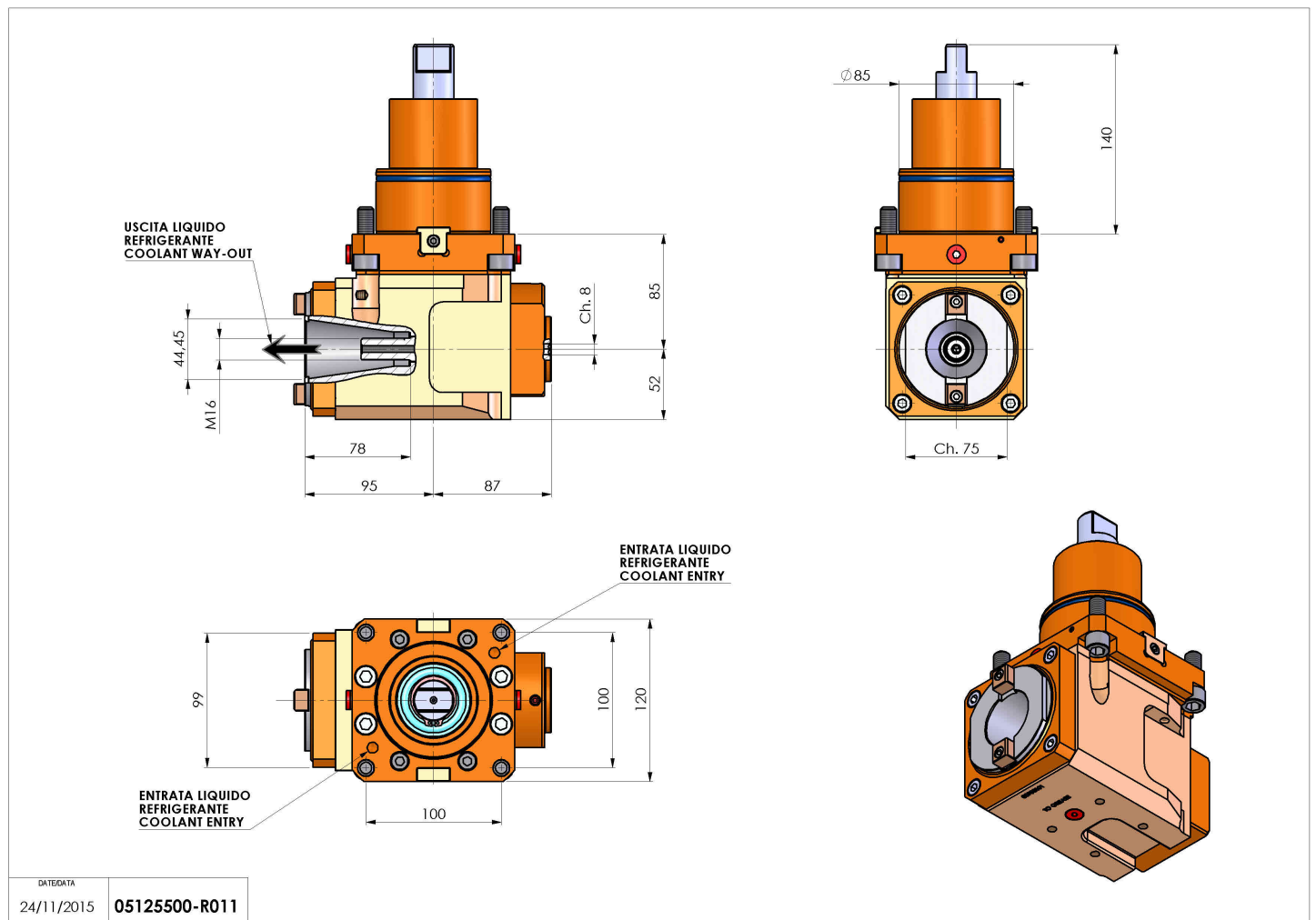
Subject to technical changes

05125500 - LT-A BMT85 ISO-BT40 RF H85 2:1

Type	LT-A Tool holder angle 90°
Mounting	BMT 85
Tool output	Quick Change ISO-BT40
Coolant	Internal coolant
Direction of rotation	r1 ↻ r2 ↻
Max speed [rpm]	in 4000 / out 2000
Max torque [Nm]	in 60 / out 120
Ratio	2:1
H [mm]	85
H1 [mm]	52
Accessories	N.A.
Notes	N.A.
Mounting tips	Not suitable for every application, please check



Always check live tool dimensions on the turret

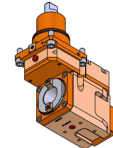


Subject to technical changes

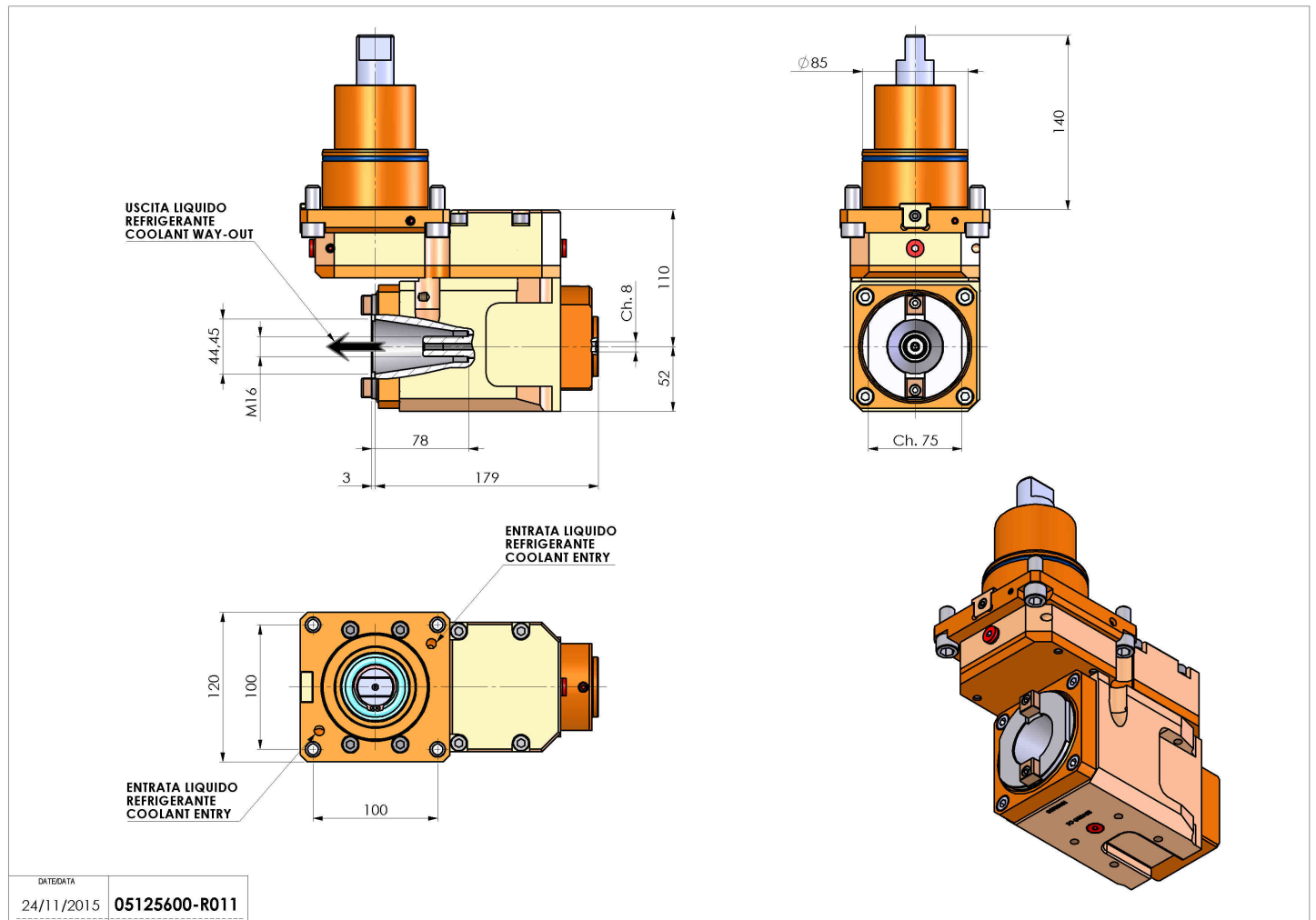
DATE/DATE: 24/11/2015
05125500-R011

05125600 - LT-A BMT85 ISO40 OF RF H110 DW

Type	LT-A OFS Tool holder offset angle 90°
Mounting	BMT 85
Tool output	Quick Change ISO-BT40
Coolant	Internal coolant
Direction of rotation	r1 ↻ r2 ↻
Max speed [rpm]	4000
Max torque [Nm]	180
Ratio	1:1
H [mm]	110
H1 [mm]	52
Accessories	N.A.
Notes	N.A.
Mounting tips	Not suitable for every application, please check



Always check live tool dimensions on the turret

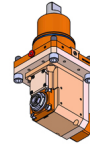


DATE/DATE	05125600-R011
24/11/2015	

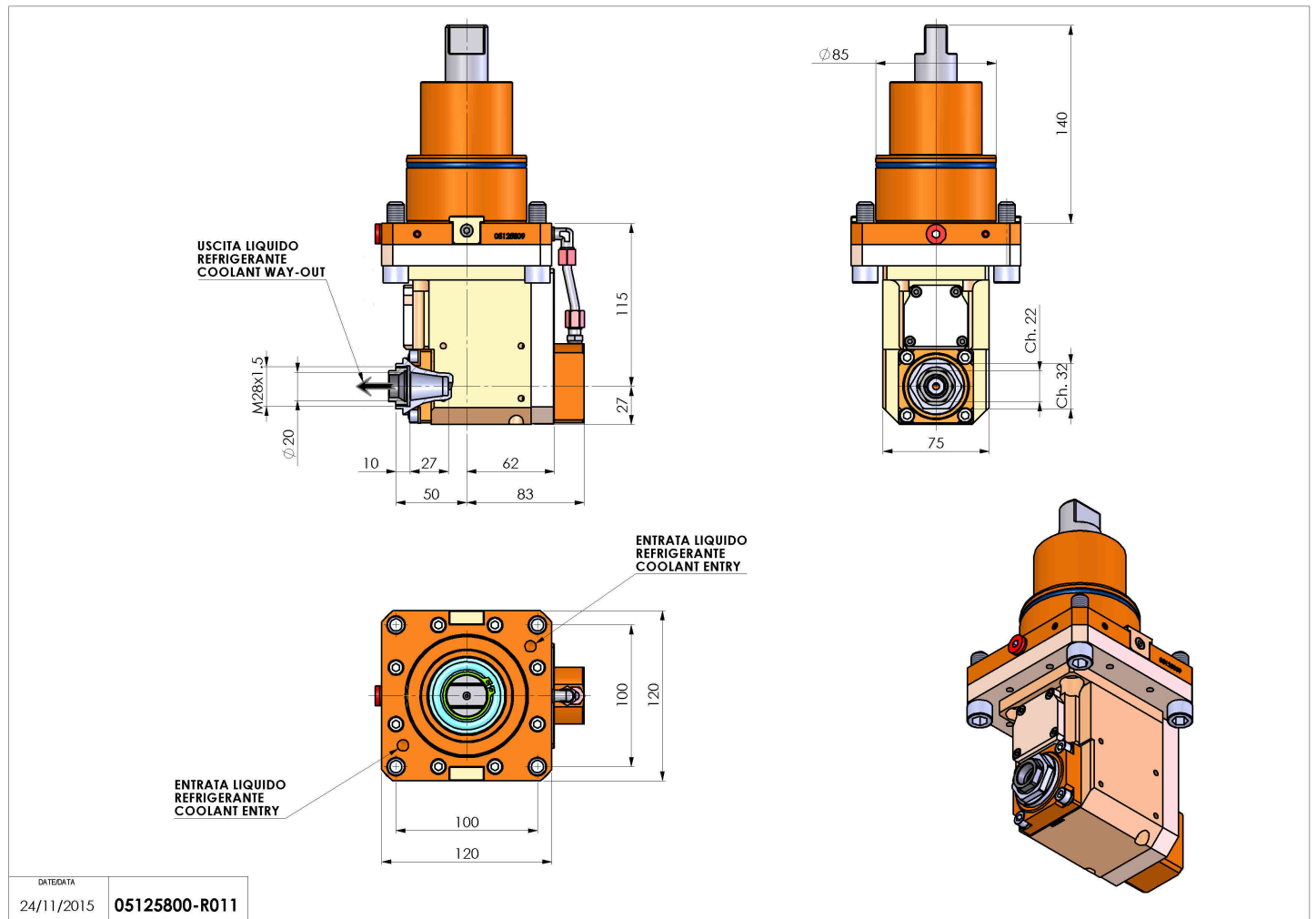
Subject to technical changes

05125800 - LT-A BMT85 ER20F RF H115 1:2

Type	LT-A Tool holder angle 90°
Mounting	BMT 85
Tool output	Collet nut ER 20 F - internal nut
Coolant	Internal coolant
Direction of rotation	r1 ↻ r2 ↻
Max speed [rpm]	in 5000 / out 10000
Max torque [Nm]	in 50 / out 25
Ratio	1:2
H [mm]	115
H1 [mm]	27
Accessories	N.A.
Notes	N.A.
Mounting tips	Not suitable for every application, please check



Always check live tool dimensions on the turret



DATE/DATE	05125800-R011
24/11/2015	

Subject to technical changes