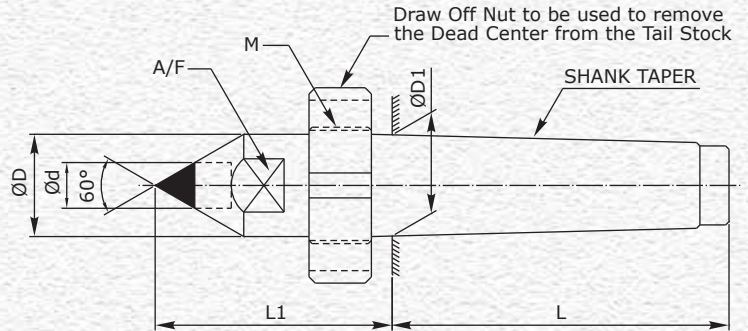


CNC DEAD CENTER CARBIDE TIPPED STUB

With Draw Off Nut



Part No.	Shank Taper	L mm	L1 mm	ØD mm	ØD1 mm	Ød mm C.T.	M (THREAD)	A/F mm
CNC DC MT2 CTS	MT-2	64.0	48.0	18.0	17.780	8	M22 X 1.5	15
CNC DC MT3 CTS	MT-3	81.0	57.0	24.1	23.825	11	M27 X 1.5	21
CNC DC MT4 CTS	MT-4	102.5	72.5	31.6	31.267	14	M36 X 1.5	28
CNC DC MT5 CTS	MT-5	129.5	87.5	44.7	44.399	18	M48 X 1.5	40
CNC DC MT6 CTS	MT-6	182.0	108.0	63.8	63.348	18	M68 X 1.5	56