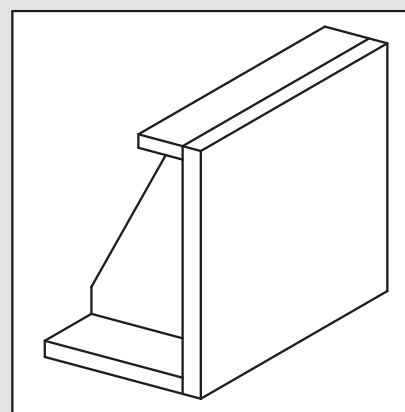
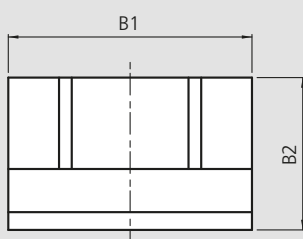
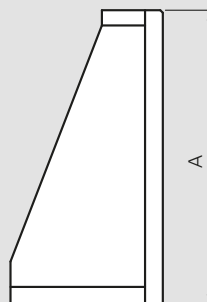
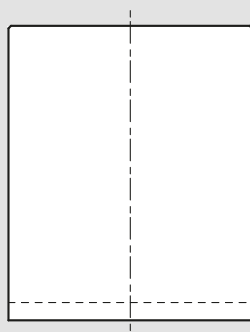


- Steel
- Milled



Subject to technical changes.

Angle plates – STEEL

Id. No.	A [mm]	B1 [mm]	B2 [mm]	Weight [kg]
57005030	360	320	230	66
57005040	460	400	330	130
57005050	510	400	330	139
57005060	510	500	330	182
57005070	560	500	330	196
57005080	560	630	430	305
57005090	660	630	430	343

Special sizes on request.