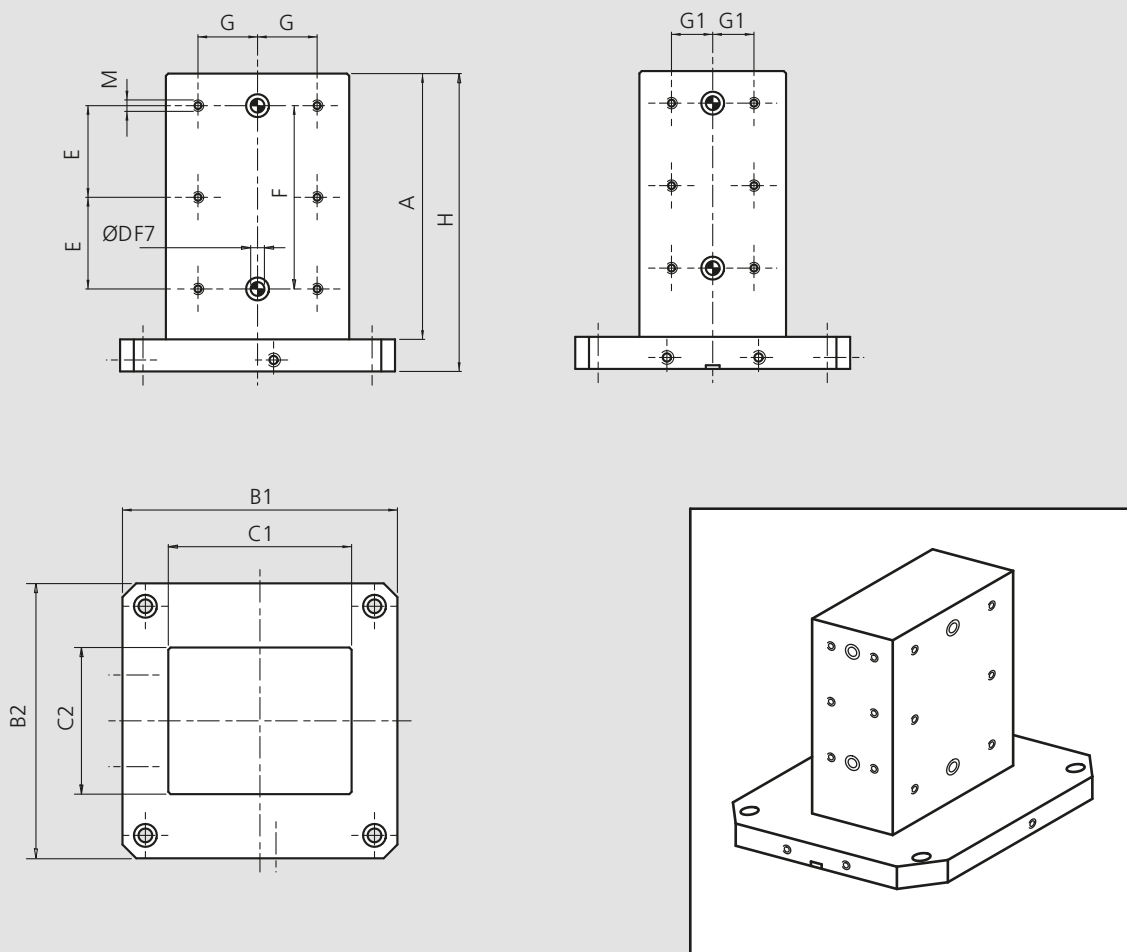


# Tombstones rectangle cube

RT

- Steel
- With grid bore hole for plates

Subject to technical changes.



## Tombstones rectangle cube – STEEL

Id. No.	A [mm]	B1 [mm]	B2 [mm]	C1 [mm]	C2 [mm]	H [mm]	Ø D [mm]	M	E [mm]	F [mm]	G [mm]	G1 [mm]	Weight [kg]
57070015	615	500	400	350	250	655	16	M12	250	500	125	75	250
57070020	615	500	500	350	250	655	16	M12	250	500	125	75	265
57070035	615	630	500	450	350	660	16	M12	250	500	175	125	367
57070040	615	630	630	450	350	660	16	M12	250	500	175	125	395

Special sizes on request.