

■ Patented protected screw



### Applications / Customer Benefits

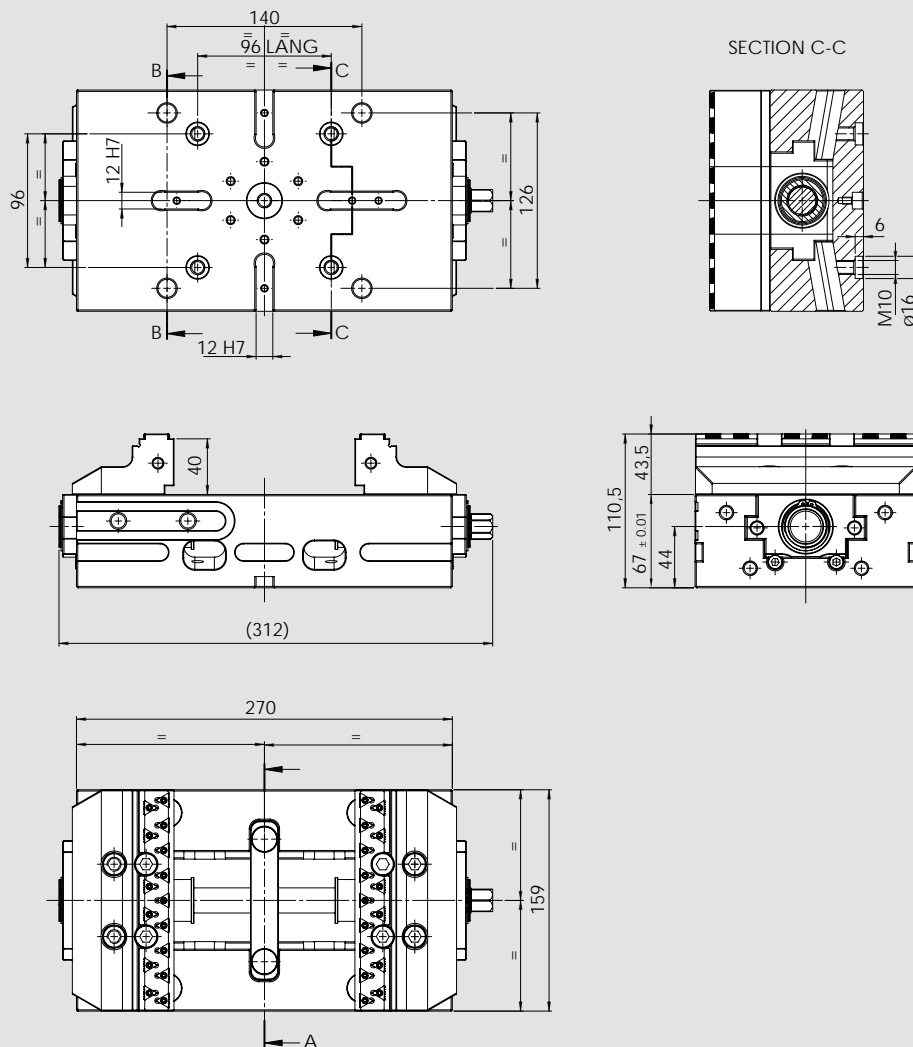
- Highly precise self-centering clamping with maximum repeatability
- Totally protected
- Compact design for better accessibility and very large drainage slots
- Jaws with SinterGrip clamping inserts for minimum workpiece clamping depth without pre-machining
- Wide clamping range
- Ideal for OP 10 and OP 20

### Technical features

- Self-centering clamping
- Clamping force up to 40 kN (70 Nm)
- Jaw width 160 mm
- Interface for zero point systems APS / WPS and Lang 96 mm as standard

### Standard equipment

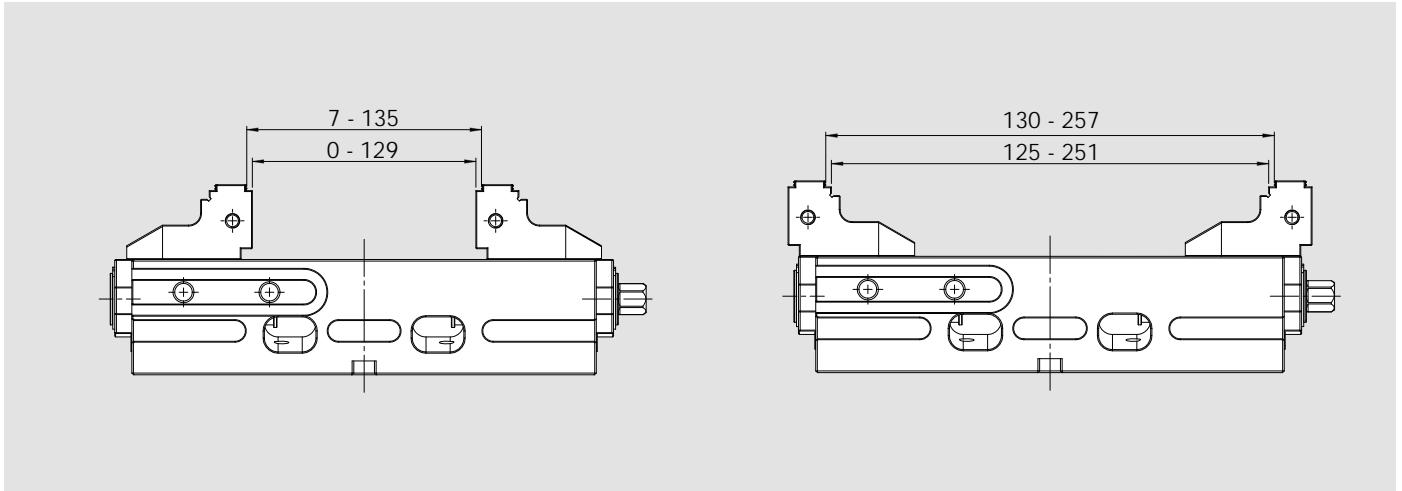
Wrench, jaws, Sintergrip inserts.



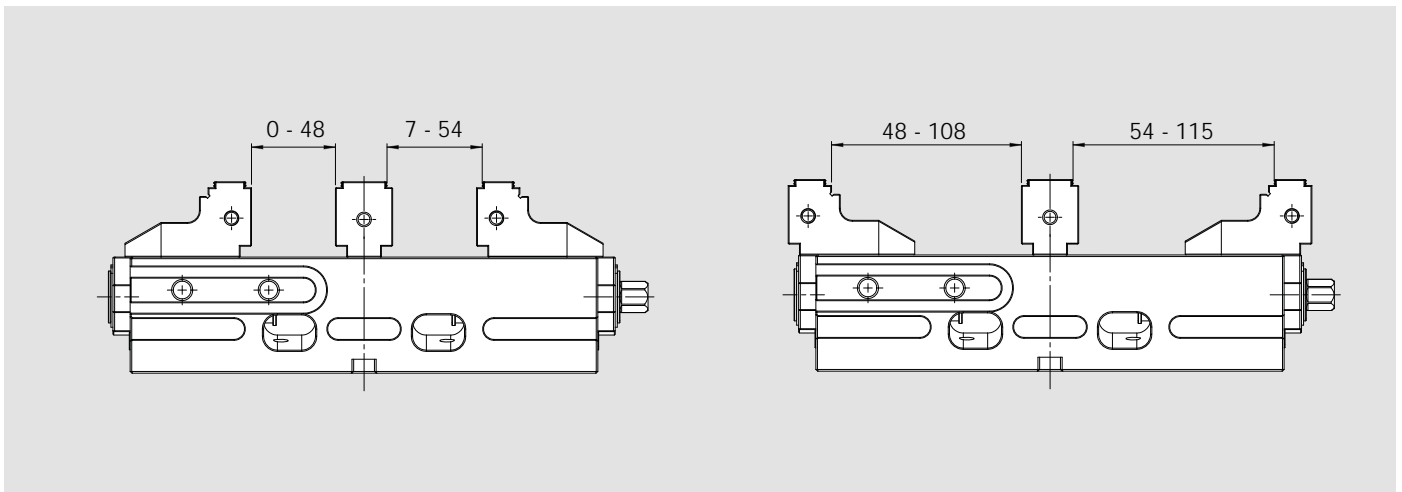
Type	Id. No.	Weight
IMG 160 - 270 with SinterGrip jaws <b>STD</b>	77583611	22 Kg
IMG 160 - 270 with SinterGrip jaws <b>ALU</b>	77583612	22 Kg
IMG 160 - 270 with SinterGrip jaws <b>HRC</b>	77583613	22 Kg

■ Patented protected screw

Self-centering



Double Clamping



Fixed

