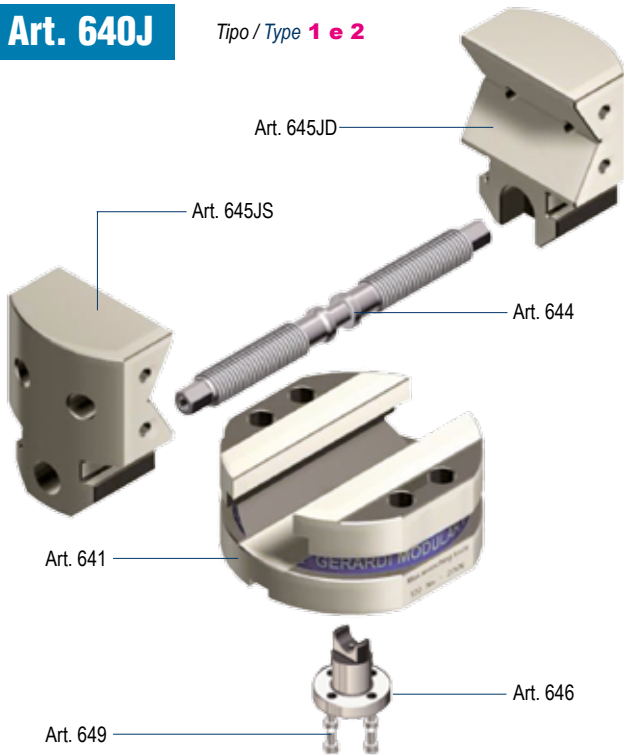


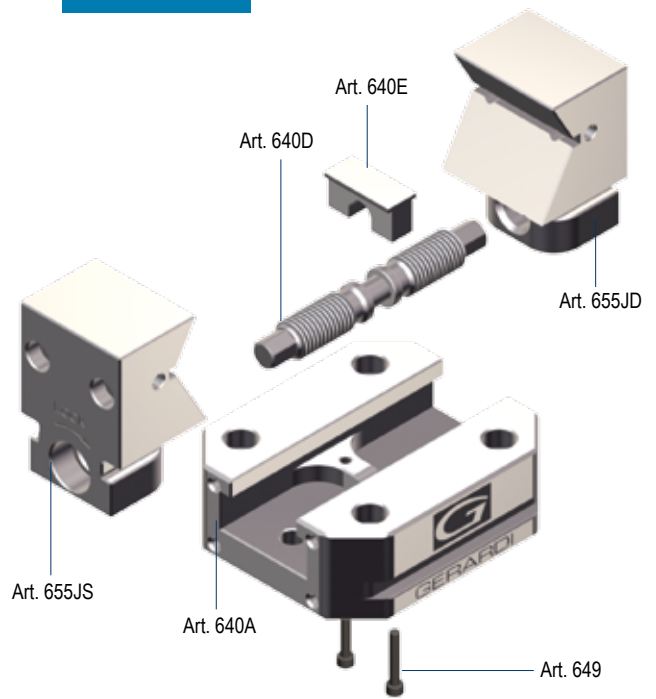
**Art. 640J**

Tipo / Type **1 e 2**



**Art. 640J**

Tipo / Type **3**



Tipo / Type	1	2
-------------	---	---

<b>Art. 641</b>	Cod. 6.64.11000	6.64.21000
Corpo base Base body		

<b>Art. 644</b>	Cod. 6.64.41000	6.64.42000
Vite di bloccaggio Main screw		

<b>Art. 645JD</b> *	Cod. 7.64.5JD10	7.64.5JD20
Ganascia integrale prismatica dx Solid prismatic right jaw		

<b>Art. 645JS</b> *	Cod. 7.64.5JS20	7.64.5JS10
Ganascia integrale prismatica sx Solid prismatic left jaw		

<b>Art. 646</b>	Cod. 6.64.61000	6.64.462000
Forcella Yoke		

<b>Art. 649</b>	Cod. 6.64.91000	6.64.492000
Vite per forcella Hex socketed head crew for yoke		

Tipo / Type	3 x 166	3 x 266
-------------	---------	---------

<b>Art. 640A</b>	Cod. 7.64.0A3166	7.64.0A3266
Corpo base Base body		

<b>Art. 640D</b>	Cod. 7.64.0D3166	7.64.0D3266
Vite di bloccaggio Main screw		

<b>Art. 640E</b>	Cod. 7.64.0E3166	7.64.0E3266
Forcella Yoke		

<b>Art. 655JD</b> *	Cod. 7.65.5JD316	7.65.5JD326
Ganascia integrale prismatica dx Solid prismatic right jaw		

<b>Art. 655JS</b> *	Cod. 7.65.5JS316	7.65.5JS326
Ganascia integrale prismatica sx Solid prismatic left jaw		

<b>Art. 649</b>	Cod. 7.64.93000	
Vite per forcella Hex socketed head crew for yoke		

\* **Art. 655JD** + **Art. 655JS** = **Art. 655J**