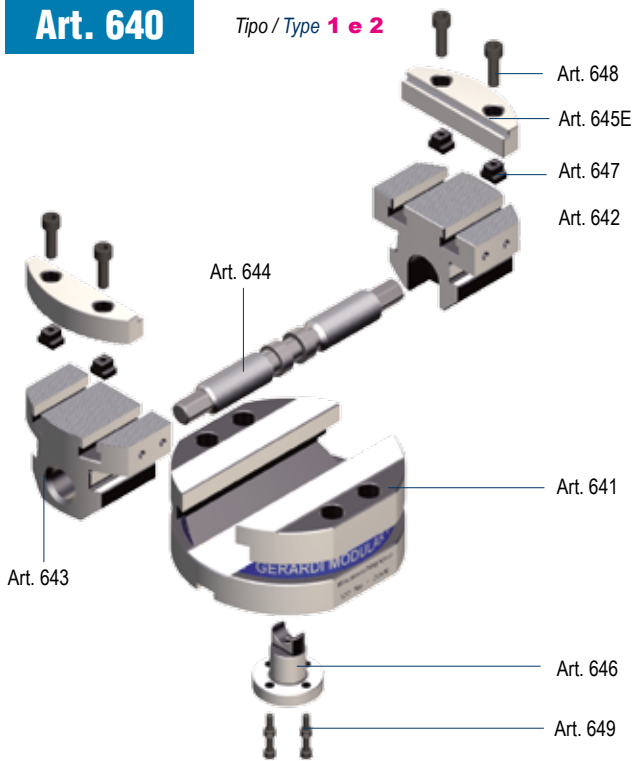
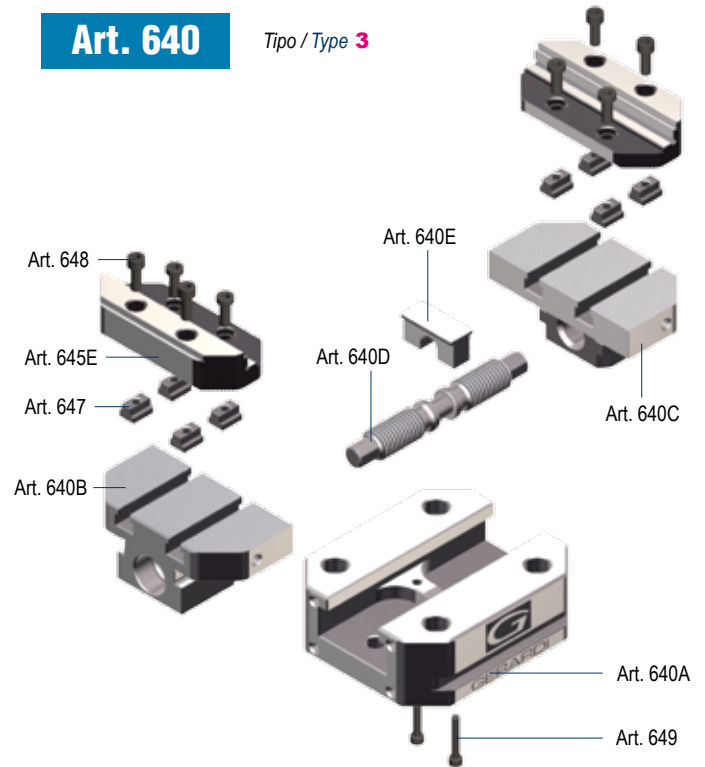


Art. 640

 Tipo / Type **1 e 2**

Art. 640

 Tipo / Type **3**


Tipo / Type	1	2	Tipo / Type	3 x 166	3 x 266
Art. 641 Corpo base Base body	Cod. 6.64.11000	6.64.12000	Art. 640A Corpo base Base body	Cod. 7.64.0A3166	7.64.0A3266
Art. 642 Slitta integrale destra Solid slide right hand	Cod. 6.64.21000	6.64.22000	Art. 640B Slitta integrale sinistra Solid slide left hand	Cod. 7.64.0B3166	7.64.0B3266
Art. 643 Slitta integrale sinistra Solid slide left hand	Cod. 6.64.31000	6.64.32000	Art. 640C Slitta integrale destra Solid slide right hand	Cod. 7.64.0C3166	7.64.0C3266
Art. 644 Vite di bloccaggio Main screw	Cod. 6.64.41000	6.64.42000	Art. 640D Vite di bloccaggio Main screw	Cod. 7.64.0D3166	7.64.0D32664.43266
Art. 645E Ganascia a gradino Step jaw	Cod. 6.64.5E100	6.64.5E200	Art. 640E Forcella Yoke	Cod. 7.64.0E3166	7.64.0E3266
Art. 646 Forcella Yoke	Cod. 6.64.61000	6.64.62000	Art. 645E Ganascia a gradino Step jaw	Cod. 7.64.5E300	
Art. 647 Dado a T (Cad.) T nut (Each)	Cod. 6.64.71000	6.64.72000	Art. 647 Dado a T (Cad.) T nut (Each)	Cod. 7.64.73000	
Art. 648 Vite per ganaascia Hex socked head screw for jaw	Cod. 6.64.81000	6.64.82000	Art. 648 Vite per ganaascia Hex socked head crew for jaw	Cod. 7.64.83000	
Art. 649 Vite per forcella Hex socked head screw for yoke	Cod. 6.64.91000	6.64.92000	Art. 649 Vite per forcella Hex socked head crew for yoke	Cod. 7.64.93000	