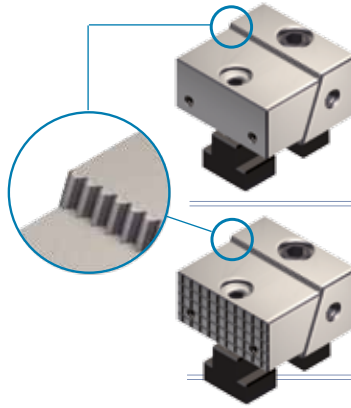


Tipo (grandezza) morsa / Vise (type) size

1
2
3
Art. 605

 Ganascia fissa e mobile liscia per morsa Art. 600
 Fixed and movable smooth jaw for vise Art. 600

 Ganascia discendente guidata / Sistema a pettine (Particolare)
 Guided pull down jaw / Comb system (Detail)


kg	0.6	1.8	4.7
Cod.	6.60.51000	6.60.52000	6.60.53000

kg	0.6	1.8	4.7
Cod.	6.60.5S100	6.60.5S200	6.60.5S300

Cod.	6.60.5W100	6.60.5W200	6.60.5W300
------	------------	------------	------------

Art. 605S

 Ganascia fissa e mobile zigrinata per morsa Art. 600
 Fixed and movable serrated jaw Art. 600

Art. 605W

 Ganascia fissa zigrinata e mobile liscia per morsa Art. 600
 Serrated fixed jaw and movable smooth for vise Art. 600

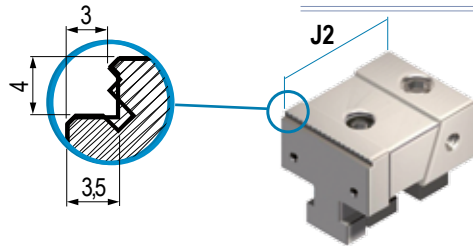
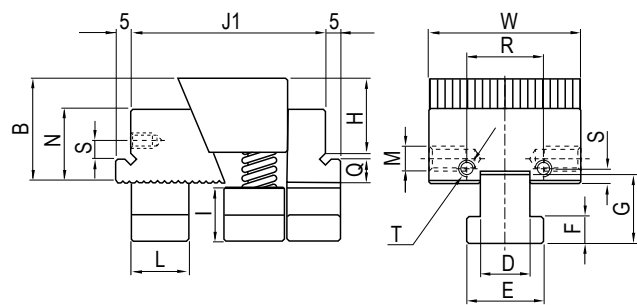
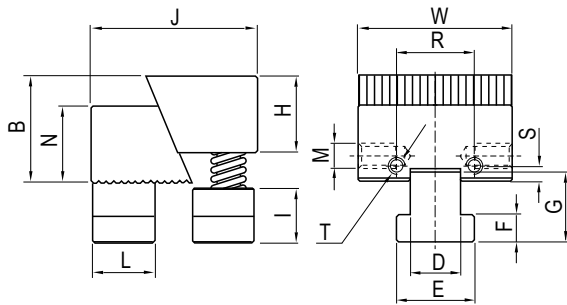
Art. 609

 Ganascia fissa e mobile con gradino per morsa Art. 606
 Fixed and moving jaw with step for vise Art. 606


kg	0.8	2.2	5.5
Cod.	6.60.91000	6.60.92000	6.60.93000

Cod.	6.60.9T100	6.60.9T200	6.60.9T300
------	------------	------------	------------

Art. 609T

 Ganascia fissa e mobile GRIP per morsa Art. 606T
 Fixed and moving GRIP jaw for vise Art. 606T

Art. 605
Art. 605S
Art. 605W
Art. 609
Art. 609T


Art.	1	2	3
W	49	74	99
B	35 / 25	40	60
D	14	22	30
E	22	35	48
F	8	14	21
G	25	33	46
H	25	34	50
I	18	26	42
J	54 / 58	70 / 75	94,5 / 98,5
J1	63,5 / 67,5	85 / 88	114,5 / 119
J2	70 / 74	87 / 90	120,5 / 115,5
L	22	26	35
M	M10	M10	M10
N	25	40	60
Q	5	8	10
R	30	50	50
S	7	10	10
T	M5	M6	M6