

GRUPPI PREASSEMBLATI / PRE-ASSEMBLED GROUP

Tipo (grandezza) morsa / Vise (type) size

Art. 105

 Base girevole
Swivel base


	1	2	3	4	5	6
Ø B	180	225	290	320	370	400
C	50	52	65	80	94	116
D	112	146	175	200	220	240
E	155	195	245	272	310	340
F	20	23	28	28	34	38
G	11	14	20	20	25	25
H	6,5	8,5	12,5	12,5	17	17
L	7	10	13	13	17	17
M	12	14	20	20	26	26
N	10	13	16	16	20	20
O	6,5	8,5	12,5	12,5	16,5	16,5
kg	3,3	5,5	10,8	13	21	25,3
Cod.	2.10.51000	2.10.52000	2.10.53000	2.10.54000	2.10.55000	2.10.56000

 Art. 105 - Senza alcuna dotazione
Art. 105 - Supplied without accessory equipment

Art. 365

 Anello esterno per base girevole
Outer ring swivel base


Cod.	1.81.11000	1.81.21000	1.81.31000	1.81.41000	1.81.51000	1.81.61000
------	------------	------------	------------	------------	------------	------------

Art. 366

 Anello interno per base girevole
Inner ring swivel base


Cod.	1.81.12000	1.81.22000	1.81.32000	1.81.42000	1.81.52000	1.81.62000
------	------------	------------	------------	------------	------------	------------

Art. 367

 Staffa per base girevole
Clamp swivel base


Cod.	1.84.10000	1.84.20000	1.84.30000	1.84.40000	1.84.50000	1.84.60000
------	------------	------------	------------	------------	------------	------------

Art. 368

 Spina cilindrica per base girevole
Straight pin swivel base


Cod.	0.80.11000	0.80.21000	0.80.31000	0.80.41000	0.80.51000	0.80.61000
------	------------	------------	------------	------------	------------	------------

Art. 420

 Vite esagonale per base girevole
Bolt swivel base


Cod.	0.05.08035	0.05.10035	0.05.10040	0.05.12050	0.05.14060	0.05.14060
------	------------	------------	------------	------------	------------	------------

Art. 430

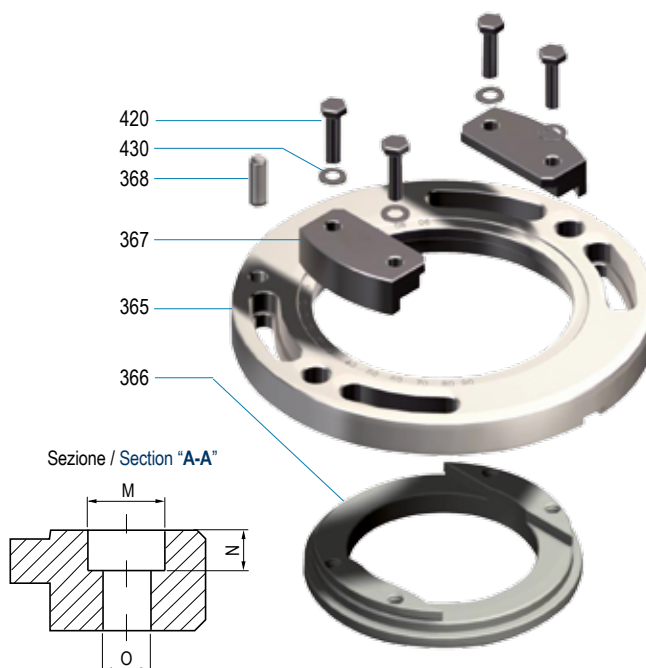
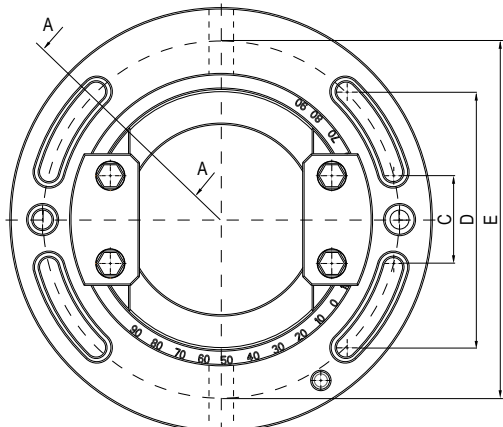
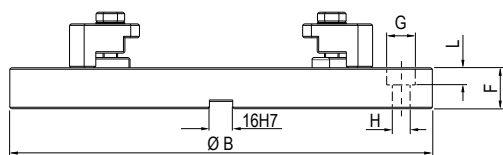
 Rondella per base girevole
Washer swivel base


Cod.	0.75.18416	0.75.11052	0.75.11052	0.75.11325	0.75.11525	0.75.11525
------	------------	------------	------------	------------	------------	------------

Art. 105

Base girevole / Swivel base

(Art. 365 + 366 + 367 + 368 + 420 + 430)



Art.	Pag.
365	4.27
366	4.27
367	4.27
368	4.27
420	4.27
430	4.27
-	-
-	-
-	-
-	-
-	-