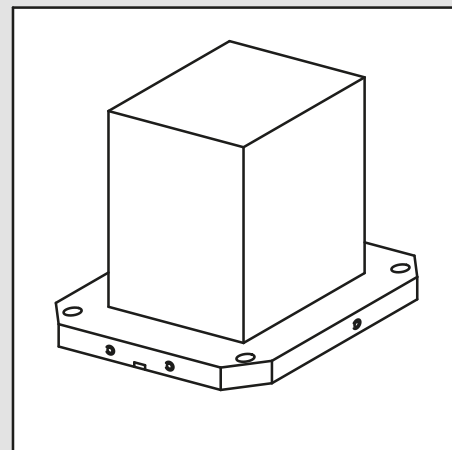
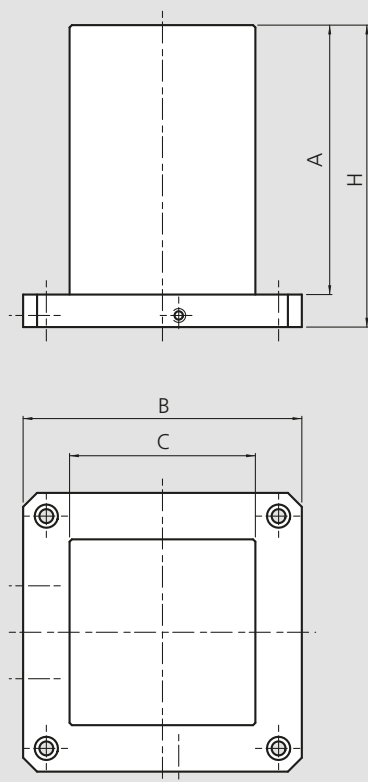


Tombstones square

RT

- Steel, aluminium or cast iron
- Raw or milled

Subject to technical changes.



Tombstones square – STEEL

Raw Id. No.	Milled Id. No.	A [mm]	B [mm]	C [mm]	H [mm]	Weight [kg]
57006006	57006005	415	300	160	455	81
57006036	57006035	620	400	250	660	205
57006056	57006055	660	500	350	700	318
57006091	57006090	815	630	450	860	524
57006121	57006120	945	800	550	1000	795

Tombstones square – ALUMINIUM

Id. No.	A [mm]	B [mm]	C [mm]	H [mm]	Weight [kg]
57306035	620	400	250	660	80
57306055	660	500	350	700	137
57306090	815	630	450	860	253

Tombstones square – CAST IRON

Raw Id. No.	Milled Id. No.	A [mm]	B [mm]	C [mm]	H [mm]	Weight [kg]
57406036	57406035	615	400	250	660	208
57406056	57406055	655	500	350	700	329
57406091	57406090	810	630	450	860	607
57406121	57406120	945	800	550	1000	808

Special sizes on request.