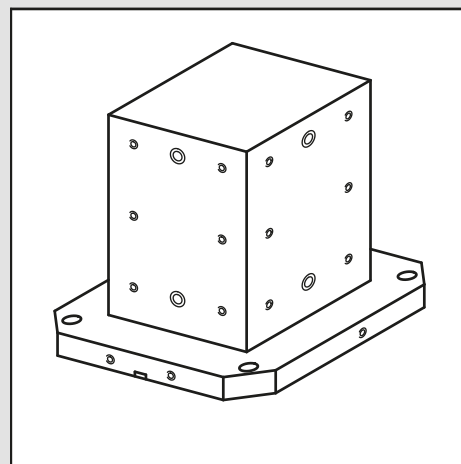
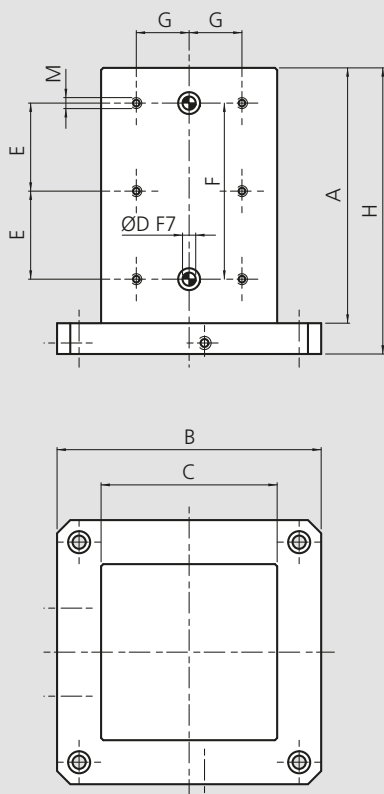


- Steel, aluminium or cast iron
- With grid bore holes for plates

Subject to technical changes.



### Tombstones square – STEEL

Id. No.	A [mm]	B [mm]	C [mm]	H [mm]	Ø D [mm]	M	E [mm]	F [mm]	G [mm]	Weight [kg]
57020015	415	300	160	455	12	M10	150	300	40	81
57020045	620	400	250	660	16	M12	250	500	75	205
57020065	660	500	350	700	16	M12	250	500	125	318
57020100	815	630	450	860	16	M12	350	700	175	524
57020130	945	800	550	1000	16	M12	400	800	225	795

### Tombstones square – ALUMINIUM

Id. No.	A [mm]	B [mm]	C [mm]	H [mm]	Ø D [mm]	M	E [mm]	F [mm]	G [mm]	Weight [kg]
57312045	620	400	250	660	16	M12	250	500	75	80
57312065	660	500	350	700	16	M12	250	500	125	137
57312100	815	630	450	860	16	M12	350	700	175	253

### Tombstones square – CAST IRON

Id. No.	A [mm]	B [mm]	C [mm]	H [mm]	Ø D [mm]	M	E [mm]	F [mm]	G [mm]	Weight [kg]
57412045	615	400	250	660	16	M12	250	500	75	208
57412065	655	500	350	700	16	M12	250	500	125	329
57412100	810	630	450	860	16	M12	350	700	175	607
57412130	945	800	550	1000	16	M12	400	800	225	808

Special sizes on request.